



PMCTECH PAGES

An Exclusive Annual Newsletter

Volume - 1 | Issue - 8 | May 2019

*“We empower students
for a Brawny Nation”*



DSIR - SIRO Certified

Accredited by NAAC

ISO 9001:2015 Certified

CONTENTS

Our Institution	01
Programmes Offered	05
Centre of Learning	06
Professional Bodies	07
Memorandum of Understanding (MoU's)	07
Industry & Academia Collaborations	08
Academic Excellence's	09
Faculty Development Programmes	10
Skill Enrichments Programme	11
Knowledge Proficiency	16
Freshers Induction Programme - 2018	20
Guest Lectures	22
Industrial Visit	28
Internship & Inplant Training	30
Awards & Recognitions	34
Research & Development Centre's	35
TECH EXPO - 2018	59
Corporate Connect 2018	63
Celebrations	65
Faculty Publications	67
Students Publications	73
Students Accomplishments	80
Department of Training & Placement	82
Department of Physical Education Training	86
Institution Social Responsibility	94
Infrastructure Photos	96

Chief Patron

Er. P. Perumal

Chairman,

PMC TECH - Group of Institutions

Patrons

Shri. P. Kumar

Secretary & Correspondent

Smt. P. Mallar

Trustee

Smt. S. Sasirekha

Trustee

PMC TECH - Group of Institutions

Co-Patron

Dr. S. Chitra

Principal

PMC TECH - Engineering College

Editor

Mr. C. Sathish

AP - Information Technology

PMC TECH - Engineering College

OUR INSTITUTION

“PMC TECH play influential role with Industries for providing meaningful impact on overall competency and skill levels of the students in relation to knowledge updating with practicality in learning and professionalizing them aiming at the developing scenario of current and future technologies.”

PMC TECH Group of Institutions, Hosur, Tamilnadu established in the year 1996 is run by “Er. Perumal Manimekalai Telugu Minority Educational and Charitable Trust” under the dynamic leadership of Shri. Er. P. Perumal, Founder Chairman. The Institutions comprise Matriculation School, ITI, Polytechnic, Engineering College and Research Studies providing quality education in the region.

Er. Perumal Manimekalai College of Engineering (established 2002) approved by AICTE and affiliated to Anna University, is an ISO 9001:2014 certified Institution accredited by NAAC with B++ Grade. The Institute provide scholarly and professional environment with quality education & skill oriented training that help students becoming best employable for Industries and professional entrepreneurs for the Nation. The Institute supports students’ creativity/innovations by establishing Scientific and Industrial Research Organization (SIRO), Women Technology Park (WTP), Centre for IIT Bombay Employability Skill Trainings, Business Incubation Centre (MSME BI), Innovation & Entrepreneurship Development Centre (IEDC) etc.,for research and developments.

VISION

“To strive and achieve excellence in technical education and management with continuous applied research and development to create well groomed and responsible citizens who are dynamic, competent, innovative, eminent and delivery oriented engineers, technologists and management professionals to build a Brawny Nation.”

MISSION

PMC TECH will Endeavour

- **High quality technical education by inculcating discipline, ethicality and personality development**
- **Knowledge based professionals out of youth from all walks of life and enrich their quality of life by empowering self and family**
- **Good Infrastructure for providing quality and quantity education, research and creativity progressively**
- **Integrate with industry, R&D and business organization by ensuring connectivity with the society in the vicinity**
- **An ultimate centre for state-of-art teaching and learning engineering and technology, research and management**



Er. P. Perumal,
Founder & Chairman.

***“Education is the means of
Developing our greatest abilities
Because in each of us there is a private
Hope and Dream”***

Which fulfilled can be translated into benefit for everyone and greater strength of our nation.

The Institutes exhibit continuous and dedicated efforts for promoting education and future engineers in all aspects in order to achieve and fulfil the mission statement that we believe in.

As an established and highly reputed Institution, we maintain an excellent academic standard and provide practical as well as Industry - driven program.

The Institution endeavors to comfort the students with campus environment inspiring faculty members and high end infrastructure including digital world class laboratories, modern digital library, Career Development & Placement Cell, funded projects, Incubation centre are the unique credentials to the Institution.

We feel glad when the talented students achieve remarkable and excellent percentage of results with utmost discipline and serving their best to the society.

I anticipate the full participation and co-operation of the students and parents to make our ambitious dream into reality.

I wish you all the best!

Er. P. Perumal,
Founder & Chairman.

MESSAGE FROM SECRETARY

***”Education is the passport to the future, for tomorrow belongs to
Those who prepare for it today.”***

Let’s make our future now,

And let’s make our dreams

Tomorrow’s reality!”



Technology is changing today faster than any time in memory. To be in tune with rapid technology advancement, we provide the right ambience to attain academic excellence through value added education, professional skills, combined with qualified and experienced faculty, well established Library and modern Laboratories.

We dedicated ourselves to impart education not only with employability skills but also entrepreneurship programs and develop the students to be the professionals of current era that society recognize and acknowledges to be the greater citizens for our nation.

All the best for your future endeavours.

Shri. P. Kumar,
Secretary & Correspondent

MESSAGE FROM MANAGING TRUSTEE



***“Education is not the learning
of facts, but the training
of the mind to think”***

PMC TECH aims to mould and raise today’s youth as tomorrow’s pillars of the society.

We do not limit ourselves in imparting academic education but also inspire to develop a prolific outlook. This institution actively supports and catalyzes the overall personality development of each student and prepares them to face the challenge in the competitive environment.

We strongly believe that “Education is the best gift one can give to others and to oneself “and so let PMC nurture future educators and entrepreneurs of tomorrow

All the Best!

Smt. P. Mallar,
Trustee

MESSAGE FROM MANAGING TRUSTEE

*“Learner gives creativity
Creativity leads to thinking
Thinking provides knowledge
Knowledge makes you great”*



PMC TECH is always imparting quality education for overall development of students in all aspects from engineering to employability. Our focus is on providing highly qualified, socially responsible, disciplined and ethically enlightened individuals who are prepared to excel in their professional career and equip students to face challenges in the real world.

We are sure that our journey towards excellence will continue to achieve greater things ahead.

Best Wishes!

Smt. S. Sasirekha,
Trustee

FROM THE PRINCIPAL'S DESK



*“Education is not
Just about going to
college and getting a degree!,
It’s about widening your
Knowledge and absorbing
Truth about life“.*

PMC TECH Engineering college ensures a cultured environment for every aspiring scholar.

Our aim is to create versatile professionals by providing them excellent academic skills and incredible employability skills

To achieve our vision, we provide

- Excellence teaching through highly talented and professionally experienced faculty in the modern smart class rooms facilitating latest knowledge transmissions.
- Well established infra-structure, well equipped Laboratories & modernized digital library facilities facilitating faculty & students to update their knowledge.
- Industry interaction, training & placement cell to ensure students excel and attain employability skills
- Support for students’ inventive ideas, research works, projects developments with best possible support of the field experts.
- Projects & startup supports with SIRO, IEDC, MSME, DST, WTP etc., and other platforms of IIT Bombay, INFOSYS, WIPRO etc., benefiting students

Finally, my heartfelt regards to Management, compliments to our staff members and a warm welcome to new students assuring them a life changing learning experience at PMC TECH.

With best wishes!

Dr. S. Chitra,
Principal

UG Programmes B.E. / B.TECH.

- Aeronautical Engineering
- Civil Engineering
- Computer Science and Engineering
- Electronics and Communication Engineering
- Electrical and Electronics Engineering
- Mechanical Engineering
- Mechatronics Engineering
- Information Technology

PG Programmes M.E. / MBA / MCA

- Aeronautical Engineering
- Applied Electronics
- Computer Science and Engineering
- Engineering Design
- Power Electronics and Drives
- MBA - Master of Business Administration
- MCA - Master of Computer Applications

Research Programme

- Ph.D. - Computer Science and Engineering
- Management Studies

PMC TECH IS HOSTING


To serve our Students, Industry & Society ahead of academics, PMC TECH is hosting

01 
Innovation & Entrepreneurship Development Centre of DST


02 
Business Incubation Center


03 
Women Technology Park of DST

04 
MHRD-Innovation Cell

05 
PMKVY - Pradhan Mantri Kaushal Vikas Yojana by MSDE

06 
CNC & Robotics Training Centre

07 
Robotic Welding & Automation Centre

08 
Visionary Learning Community of India (VLSI)

09 
Campus Connect Programme Centre

10 
Mission 10X Technology Learning Centre

11 
Spoken Tutorial of IIT - Bombay

12 
Robotics Lab Centre of IIT - Bombay

PROFESSIONAL BODIES

The presence of Professional bodies and their regular activities showcases the college on global arena benefitting both internal and external students and faculty members. Each and every department has well known international and national professional bodies, Research & Development centers, Incubation centers encouraging Entrepreneurship and Local Chapters.



Computer Society of India



ICT Academy of Tamil Nadu



The Institution of Engineers



Institute of Electrical and Electronics Engineers



The Institute of Electronics and Telecommunication Engineers



Indian Society for Technical Education



Indian Concrete Institute



Society of Automotive Engineers India



Madras Management Association



National HRD Network

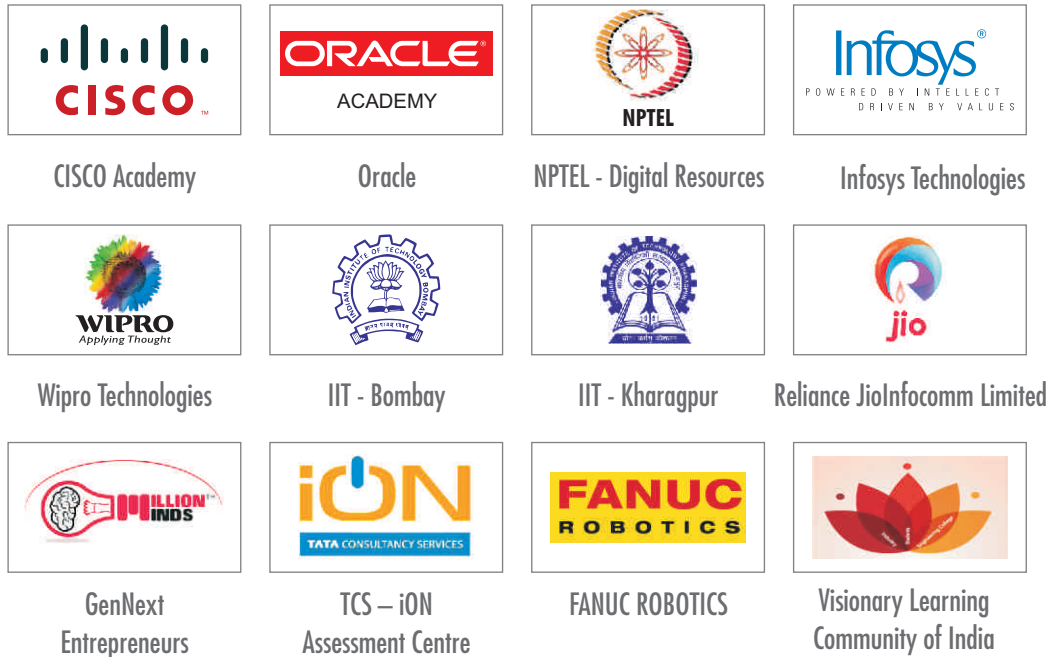
MEMORANDUM OF UNDERSTANDING'S (MoU's)

The Institute, maintains strong associations with various National and Multinational Companies, Educational and Research Institutions by entering into Memorandum of Understanding. Being a lead Institution, it is extremely important to be connected with global network of Industries and Academic Institutions for enhancement of the competence of students and faculty members and facilitating even for others.



INDUSTRY & ACADEMIA COLLABORATIONS

We have well established systems to identify problems / gaps specific to our institutes and build collaborations with industries best suited to the interests of our students and faculty members. The main aim is to meet the requirement in par with industry expectations by maintaining continuous liaisons, interactions involving participation both by students and faculty members.



CENTRE OF LEARNING

We make the students “an industry ready personnel” or “professional entrepreneur” by way of providing education qualities at the highest level. For this purpose we facilitate collaborative programs with local industrial sectors, professional academic and research institutions. We strive to offer programs geared to help our stakeholders to get a competitive edge in the high skill and high demand global market.



ACADEMIC EXCELLENCE

Excellence is the gradual result of always wanting to do better..

Our Institution faculty who serve significantly, energetically, innovatively, and knowledgeably to students with new approaches to innovative teaching methods have a demonstrable effect on enhancing student learning-outcomes. Our students have been recognized with achieving high positions and outstanding performance in the Anna University Examinations.

University Rank Holder List - 2018



SUDHA S
4th Rank
CGPA - 9.04
MCA



MANJULA R
13th Rank
CGPA - 8.88
MCA



INDUMATHI R
16th Rank
CGPA - 8.65
MBA



MOUNIKA D
22nd Rank
CGPA - 8.57
MBA



MEENA S
29th Rank
CGPA - 8.68
MCA



VAISHNAVI V
47th Rank
CGPA - 8.48
MCA



SWATHI J P
24th Rank
CGPA - 8.19
AERO



SWATHI H V
42nd Rank
CGPA - 8.50
IT



ANITHA M
44th Rank
CGPA - 8.69
CIVIL



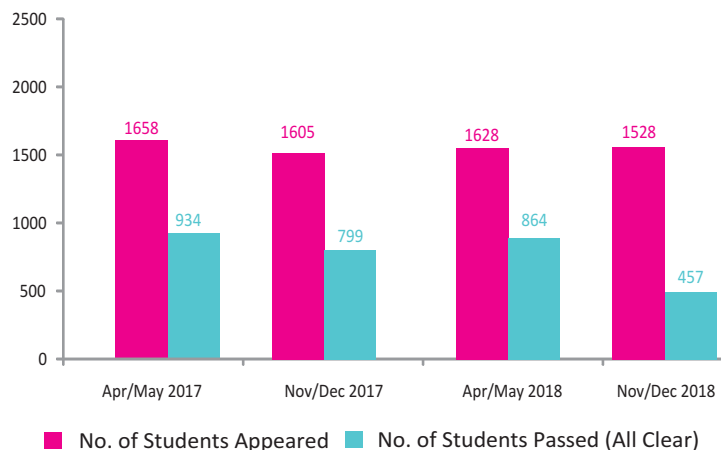
BHUVANI S
47th Rank
CGPA - 8.64
CSE



MAHALAKSHMI P
50th Rank
CGPA - 8.61
EEE

RESULT PERFORMANCE

Anna University Examinations Result Performance of BE / B.TECH / ME / MCA / MBA



FACULTY DEVELOPMENT PROGRAMMES

- **Industrial Orientation Training on 5s** - one day Faculty Development Programme organized by Mr. P. Vellingiri, Chairman, Quality Circle Forum of India, Hosur Chapter for Teaching and Non Teaching Faculty held on 13th April 2019
- **Orientation Workshop on Outcomes Based Education & NBA** - One day Faculty Development Programme (FDP) organized by Dr. C. Gowri Shankar, Prof. / EEE, K.S.R. College of Engineering held on 06th February 2019.
- **Research Data Analysis using SPSS** - One day Faculty Development Programme organized by Dr. R. Velmurugan, ASP/MBA, Karpagam University, Coimbatore for the faculty of CSE, IT, EEE & ECE departments held on 15th December 2018.
- **Auto Desk fusion 360** - one day Faculty Development Programme (FDP) organized by Mr. A. Prasanth, Technical Trainer, ICT ACADEMY of Tamilnadu for the faculty of Mechanical Engineering held on 14th December 2018.
- **IOT and its applications** - Two days Faculty Development Programme organized by Dr. Shriram K.Vasudevan, Assistant Professor, Computer Science, School of Engineering, Amrita Vishwa Vidyapeetham, Coimbatore and Mr. K. Bhasker, Assistant Professor, Computer Science, School of Engineering, Amrita Vishwa Vidyapeetham, Coimbatore for the faculty of MCA, CSE, IT, EEE & ECE departments held on 29th and 30th November 2018.
- **Kanavu Meipada** - One day Motivational Training Programme organized by Mr. Karthi Easwaramoorthy, President and Co-founder of TicketGoose.com & Mr. Sujith Kumar AVP & HR Business Leader, Infosys Ltd, Chennai held on 24th November 2018.
- **Outcome Based Education** - NBA / Training on Quality Systems in Higher Education - one day Faculty Development Programme (FDP) organized by Dr. C. Gowri Shankar, Prof. / EEE, K.S.R. College of Engineering held on 17th November 2018.
- **Global Prospects on Renewable Energy** - One day Technical Seminar organized by Mr. Khor Hai Pu, Managing Director, Gold Palm Global Bhd, Malaysia held on 10th October 2018.
- **Communicative English** - Fifteen days Faculty Development Programme (FDP) organized by Mr. Col(Retd). P. Jeyaraj, Director, Col's Calibre Coimbatore, Mr. Bharath Bhusan, Ms. Nivethitha, Ms. Sudha, Trainer's Col's Calibre, held from 01st to 20th August 2018.
- **Manufacturing Change Leaders (MCL)** - One week Faculty Development Programme (FDP) organized by Visionary Leadership Community of India, TVS - Harita Seating's, Hosur in collaboration with Japan International Cooperation Agency (JICA) & Confederation of Indian Industries (CII) held on 16th and 21st July 2018.
- **Padaiodu Nadaipodu** - one day Faculty Motivatioal Programme conducted by Kalaimamani Marabin Maindan. Muthaiya, Cheif Editor & Journalist, Nammathu Nambikai Magazine held on 07th July 2018
- **I'm My Attitude and Mindset** - Two days Faculty Development Programme (FDP) organized by Mr. Antony Innocent, NPL Trainer for the faculty of S&H department held from 05th & 06th October 2018.



FDP on Industrial Orientation Training on 5s

SKILL ENRICHMENTS PROGRAMME

Computer Society of India

- **Data Engineering Modules** - Technical seminar conducted for final year students of IT by Dr. T. Senthil Kumar, Associate Professor, Computer Science and Engineering, Amrita School of Engineering, Coimbatore held on 14th February 2019.
- **Android Application Development** - Technical Workshop conducted for second year students of CSE by Mr. Umang Burman, Trainer, Tech Trunk Ventures Pvt. LTD, Hyderabad held on 04th & 05th January 2019.
- **Distributed Machine Learning** - Technical Workshop conducted for third year students of CSE by Mr. V. Sasikumar, Data Engineer, Neurai Pvt Ltd., Bengaluru held on 28th & 29th December 2018.
- **Big Data** - Technical Workshop conducted for final year students of CSE by Dr. T. Senthil Kumar, Associate professor, Computer Science and Engineering Department, Amrita School of Engineering, Coimbatore held on 29th September 2018.
- **Recent Trends in IT** - Technical seminar conducted for second, third and final year students of CSE by Prof. Dr. M. Sundaresan, Regional Vice President – CSI, Professor and Head, Department of Information Technology, Bharathiar University, Coimbatore held on 11th September 2018.

ICT Academy of Tamilnadu

- **ICT Academy Bridge 2018** - 33rd Edition of ICT Academy Bridge 2018, Bengaluru (Largest Industry Institute Interaction Event of Asia) held on 26th September 2018 for the faculty members to learn updated about current industry expectations of skill sets required for

students and it helps to share their thoughts and ideas and the ways for preparing academic campuses to deliver high value industry relevant output.

- **ICT Academy Skill Tester Certification** - Our Faculty Members participated in online assessment test on 11th August 2019 in various topics C, C++, Oracle, PHP, Python Programming and JAVA.
- **Introduction to Autodesk Fusion 360** - Faculty Development programme for Mechanical and Mechatronics Engineering by Mr. SR. Deviya Prasanth, Senior Technical Trainer, ICT Academy held on 14th & 15th December 2018.

Institution of Engineers - India (IE-I)

- **Recent Trends in Fighter Aircraft** - One day technical session conducted for all students of Aeronautical Engineering by Dr. T. M. Naidu, Scientist ISRO Satellite Centre, Bengaluru. held on 04th September 2017.

Indian Concrete Institute - (ICI)

- **Sustainable Development in Civil Engineering** - Technical Session for all students of Civil Engineering by Er. E. Vasudevamoorthy, Managing Director, Tools Academy, Bengaluru held on 07th March 2019.
- **Modern Construction Technology** - One day technical session conducted for all students of Civil Engineering by Er. E. Vasudevamoorthy, Managing Director, Tools Academy, Bengaluru held on 04th February 2019.
- **Concrete Mix Design** - One day Hands on Training session conducted for all students of Civil Engineering by Er. G. S. Ganesh Kumar, Manager, Tech-Support, Chettinad Cements, Chennai.

SKILL ENRICHMENTS PROGRAMME

Institute of Electrical and Electronics Engineers (IEEE)

- **Smart Grid & Cyber Security** - Technical Seminar conducted for second, third & final year students of EEE Mr. G. Pandiyan, Joint Director, HOD, Electrical Maintenance Division, Central Power Research Institute, Bangalore held on 25th January 2019.
- **Real Time Solar Panel Application Program** - Hands on Training conducted for Third year Students of EEE by Mr. Mr. M. Madhan Kumar, Sr. Marketing Executive, Power Integrated Solutions, Tiruchy held on 02nd and 03rd January 2019.
- **Industrial Automation PLC & SCADA** - Technical Seminar conducted for second year students of EEE Mr. R. Jayaraman, Deputy Manager, Easun Reyole Pvt. Ltd., Hosur held on 15th September 2018.
- **Embedded System Design Using 8051 Microcontroller** - Technical Workshop conducted for Final year Students of EEE by Mr. E. Rajamanickam, Bits N watts Embedded Solution, Chennai held on 10th and 11th September 2018.
- **PCB Design & Fabrication** - Technical workshop conducted for second year students of EEE by Mr. R. Pandiyan, Managing Director, Alpha Beta Solution, Madurai held on 05th and 06th September 2018.
- **PLC and Automation** - Technical Workshop conducted for second year students of EEE by Mr. E. Rajasekar, Project Manager, Raana Power Solutions, Bengaluru held on 27th and 28th July 2018.

Society of Automotive Engineers - India (SAEI)

- **Recent Trends in Automotive Manufacture** - One day technical session conducted for all students of Mechatronics Engineering by Dr. Krishna Lok Singh, Senior Principal Scientist, CSIR - Bengaluru held on 44th March 2019.



Technical Session on Recent Trends in Fighter Aircraft

- **Advancement in Commercial Vehicles** - one day Technical Seminar conducted for third year students of Mechanical Engineering by Mr. Vivek Sriram, Carborundum Universal Limited held on 05th January 2019.
- **Renewable Energy Source in Energy Conservation** - One day Technical Workshop conducted for Mechanical Engineering students by Mr. V. S. Baskar & Mr. K. Prakash Rao, Technical Head, Petroleum Conservation Research Association (PCRA) held on 28th December 2018.
- **3D Printing** - One day Hands on Training session conducted for Third and Final year students of Mechatronics Engineering by Mr. S. Senthikumar, Coordinator, WTP & MSME Business Incubation Cell, PMC TECH held on 24th September 2018.
- **Automotive Engineering** - Two days Technical Workshop conducted for final year students of MCO by Mr. P. Xavier Jaganathan, Director, Goodwin Motors, Chennai held on 11th & 12th September 2018.

SKILL ENRICHMENTS PROGRAMME

- **Assembling and Dismantling Two & Four Wheelers** - Hands on Training Technical Session conducted for second year students of Mechanical Engineering students by Mr. P. Xavier Jaganathan, Director, Goodwin Motors, Chennai held on 06th and 07th September 2018.

Indian Society for Technical Education - (ISTE)

ISTE - Student Chapter

- **ARDUINO with IOT** - Four days Technical Workshop conducted for Final Year Students of ECE by Mr. G. Jaisarathy, Embedded Project Developer, One Yes Technologies, Chennai held on 18th to 21st February 2019.
- **Electronic System Design and Microcontrollers** - Three days Technical Workshop conducted for Second Year Students of ECE by Mr. M. E. Rajamanikam, Head Trainee, Bits 'N' Watts Embedded Solution, Chennai held on 12th to 15th September 2018.
- **Digital Signal Processing** - Two days Technical Seminar conducted for Third year students of ECE by Dr. C. Gowri Shankar, ASP/EEE, K.S.R. College of Engineering, Tiruchengode held on 30th August and 01st October 2018.
- **RF & Microwave Engineering** - One day Guest Lecture conducted for Final year students of ECE by Mr. D.Venkatesh, AP/ECE, PSG Institute of Technology and Applied Research, Coimbatore held on 15th September 2018.

ISTE - Faculty Chapter

- **IOT & its Application** - Two days Faculty Development Programme conducted by Dr. Shriram K. Vasudevan, and Mr. A. Baskar, Assistant Professor's, Computer Science, School of Engineering, Amrita Vishwa Vidyapeetham, Coimbatore held on 29th & 30th November 2018.

Institution of Electronics and Telecommunication Engineers (IETE)

Student Chapter

- **Optimization of VLSI circuits using ASIC GUI** - Two days Technical Workshop conducted for Third Year Students of ECE by Mr. R. Ravikumar Reddy, Technical Lead, Sanarys, Bengaluru held on 18th & 19th February 2019.
- **Embedded System** - Two days Technical Workshop conducted for third year students of MCO by Mr. R. Rajamanickam, Managing Director, Bits and Watts, Chennai held on 22nd & 23rd January 2019.
- **IOT & its Opportunities** - One day Technical Seminar conducted for Third year students of CSE / IT by Dr. Nazar Ali, Associate Professor in Electrical Engineering, Rajalakshmi Engineering College, held on 17th September 2018.



Technical Workshop on Assembling and Dismantling Four Wheelers

- **Industrial Automation PLC & SCADA** - One day Technical Seminar conducted for second year students of EEE by Mr. R. Jayaraman, Deputy Manager, Easun Reyole Pvt Ltd, Hosur held on 15th September 2018.
- **Robotics and Automation** - Two days Technical Workshop conducted for second year students of MCO by Mr. J. Thangaraj, Technical Lead, Director Knowledge Electronics, Salem held on 11th & 12th September 2018.

SKILL ENRICHMENTS PROGRAMME

National Human Resource Development - Hosur Chapter (NHRD)

- **Industry Institute Interaction Meet** - held on 27th April 2019.
- **A Powerful & Unique Indian Approach to Leadership Development** - held on 14th February 2019 by Mr. Ravindra Sathe Director General –RMP.
- **Proactive industrial relation in managing global Human resources** - held on 20th November 2019 by Mr. Nagabhusana, DGM, SEG Automotive Ltd.
- **Advanced Leadership Programme (ALP)** held on 3rd October 2018 by Dr. Pritam Singh CEO – Lead Centre & Noted Management Thinker.
- **Contemporaries of HRM** - held on 19th September 2019 by Mr. Anand Pillai Managing Director - Leadership Matters Inc.
- **Talent, Technology & Culture: The HR** - held on 14th September 2018 by Mr. Prem Singh President (Global HR) Wockhardt Pvt. Ltd.



Technical Seminar on Recent Trends in IT

Academic Attainments

- **Android Application Development** - Technical Workshop conducted for second and third year students of MCA by Mr. B. Dinesh

Babu, Software Developer, Bengaluru held on 02nd March 2019.

- **Cloud Computing** - Technical Workshop conducted for Third year students of IT by Mr. V. Sasikumar, Data Engineer, Neurai Pvt. Ltd., Bengaluru held on 23rd February 2019.
- **Arduino with IOT** - Technical Workshop conducted for second year students of ECE by Mr. G. Jaisarathy, Embedded Project Developer, One Yes Technologies, Chennai held on 18th February 2019.
- **Optimization of VLSI Circuits using ASIC GUI** - Technical Workshop conducted for third year students of ECE by Mr. R. Ravikumar Reddy, Technical Lead, SANARYS, Bengaluru held on 18th February 2019.
- **Micro Analysis & Financial Statements** - One day workshop conducted for second and third year students of Management Studies by Mr. R. Chandrasekar, Managing Director, Empower HR Solutions Pvt. Ltd., Bengaluru on 02nd February 2019.
- **Advancement in Commercial Vehicle Craft** - One day Technical Seminar conducted for third year students of Mechanical Engineering by Mr. L. Vivek Sriram, Technical Lead, Carborundum Universal Limited held on 05th January 2019.
- **Initiatives Of Innovative Projects** - One day Technical Seminar conducted for final year students of Mechanical Engineering by Dr. K. G. Saravanan, ASP/MECH, Sona College of Technology, Salem held on 04th January 2019.
- **Solar Panel Application Program** - Hands on Training conducted for Third year Students of EEE by Mr. M. Madhan Kumar, Sr. Marketing Executive, Power Integrated Solutions, Tiruchy held on 02nd and 03rd January 2019.

SKILL ENRICHMENTS PROGRAMME

- **Block Chain Technologies** - Technical Workshop conducted for second and third year students of MCA by Dr. V. Ashok Immanuel, Professor & Head/CSE, Christ University, Bengaluru held on 29th September 2018.
- **Employability Skills** - Technical Workshop conducted for second and third year students of MCA by Dr. N. Sekar, Technical Consultant, NHRD, Hosur Chapter held on 24th September 2018.
- **Communication Space Craft** - One day Technical Seminar conducted for second and third year students of Mechanical Engineering by Mr. T. K. Sundramurthy, Scientist, ISRO Satellite Center, Bengaluru held on 15th September 2019.
- **Assembling and Dismantling Two & Four Wheelers** - Hands On Training conducted for third year students of Mechanical Engineering by Mr. P. Xavier Jaganathan, Director, Goodwin Motors, Chennai held on 14th & 15th September 2018.
- **Electronic System Design and Microcontrollers** - Technical Workshop conducted for Second year students of ECE by Mr. M. E. Rajamanikam, Project Lead, Bits 'N' Watts Embedded Solution, Chennai held on 12th to 15th September 2018.
- **MS - Office and Basics of Computer** - One day Technical Seminar conducted for first year ECE & EEE students by Mrs. S. Ezhilvathani & Mr. S. Santhoshkumar, Assistant Professor's/CSE held on 14th September 2018.
- **Python Programming** - Technical Workshop conducted for Third year students of ECE by Mr. R. Ravikumar Reddy, SANARYS, Bengaluru held on 11th to 14th September 2018.
- **Engineering Mathematics - I** - One day Technical inar conducted for first year ECE & EEE students by Mrs. S. Ezhilvathani & Mr. S. Santhoshkumar, Assistant Professor's/CSE held on 14th September 2018.
- **Automotive Embedded Systems using ARM** - Technical Workshop conducted for Final year students of ECE by Mr. G. Jaisarathy, Embedded Project Developer, One Yes Technologies, Chennai held on 11th to 14th September 2018.
- **Industrial Automation** - Technical Seminar conducted for second year students of EEE by Mr. R. Jayaraman, Deputy Manager, Easun Reyole Pvt Ltd, Hosur held on 11th September 2018.
- **Automotive Technology** - One day Technical Seminar conducted for second and third year students of Mechanical Engineering by Mr. P. Xavier Jaganathan, Director, Goodwin Motors on 11th September 2018.
- **Android Application Development** - Technical Workshop conducted for third year students of IT by Dr. T. Senthil Kumar, Associate professor, Computer Science and Engineering, Amrita School of Engineering, Coimbatore held on 16th August 2018.
- **Cloud Technology** - Technical Workshop conducted for second and third year students of MCA held on 27th July 2018.



Technical Workshop on Automotive Engineering

Value Added Programmes

- **Communicative English** - Seven days communication development training conducted by Cl. (Retd) P. Jeyaraj Mr. Bharath & Team Members of Col's Calibre, Coimbatore for the second year students of MBA held on 21st to 30th January 2019.
- **Application Development using HTML, CSS, Java Script. JQuery, PHP, MySql** - Four days value added course conducted by Mr. R. Vasu, CTO, Free Lancer Training, Chennai for the Second and Third year students of MBA held on 02nd to 05th January 2019.
- **Web Application Development** - Six days value added course conducted by Dr. B. Madhusudhanan, Director – R&D, Mrs. P. Anlet Pamila Suhi, Mrs. Neethu Mariam Joseph, Mrs. C. Manju Rekha, Assistant Professor's/CSE & IT, PMC TECH for the second year students of CSE & IT held on 06th to 11th December 2018.
- **Mobile Circuit Designing Concepts** - Five days value added course conducted by Mr. C. Velumani, Trainee & Project Developer, New Technologies, Coimbatore for the second year students of ECE held on 03rd to 07th December 2018.
- **AUTOCAD Electrical** - Six days value added course conducted by Mr. C. Rajesh, Technical Development Head - HSR CAD College, Hosur for the second year students of ECE held on 03rd to 08th December 2018.
- **AUTO CADD** - Six days value added training programme conducted by Mrs. K. Kokila & Mrs. N. Jeevitha, Assistant Professors / Civil, PMC TECH for the final year students of Civil Engineering held on 26th November to 01st December 2018.
- **Communicative English** - Seven days communication development training conducted by Cl. (Retd) P. Jeyaraj Mr. Bharath & Team Members of Col's Calibre, Coimbatore for the first year students of MBA held on 24th September to 01st October 2018.
- **Advanced IT & ITES** - Thirty days employability skill training programme conducted for final year CSE, IT & MCA Students by TNSDC & ICT Academy of Tamil Nadu held on 23rd January to 15th February 2019.



Training Programme on Communicative English



Technical Session on Real Time Solar Panel Application

EXPERT TALKS - PMC TECH Provide What Students and Faculty Need

Providing expert talks bringing together some of the brightest minds of our industry, prominent scientists, expertise academic personnel etc are the perennial activities of PMC TECH.

S.No	Topic	Resource Person	Department / year
1	Recent Trends in IT	Prof. Dr. M.Sundaresan, Regional Vice President - CSI, Professor and Head, Department of Information Technology, Bharathiar University, Coimbatore	II, III & IV Year Students of CSE & IT
2	Internet of Things	Dr. P. CyrilPrasanna Raj Research & Development, Department of ECE, M.S. Engineering College, Bengaluru	3 rd Year Students of ECE
3	Recent Inventions in the Electrical Engineering Industry	Dr. S. Albert Alexander, Associate Professor, Dept. of EEE, Kongu Engineering College, Perundurai.	II, III & IV Year Students of EEE
4	Advancement in Commercial Vehicle	Mr. R. Vivek Sriram, Manager of Design, Carborundum Universal Limited, Hosur	3 rd Year Students of MECH
5	Initiatives of Innovative Projects	Dr. K.G. Saravanan, Professor, Department of Physics, Sona College of Technology, Salem	Final Year Students of MECH
6	Communication Space Craft	Mr. T. K. Sundramurthy, Mission Director at ISRO, ISRO Satellite Center, Bengaluru	II, III & IV Year Students of MECH
7	Modern Construction Technology	Er. Vasudevamoorthy - Managing Director Tools Academy Bengaluru.	II, III & IV Year Students of CIVIL



Expert Talk on Communication Space Craft



Expert Talk on Modern Construction Technology

National Conference's

- **National Conference on Emerging Trends in Aerospace Engineering (NCETAE'19)** in association with IEI inaugurated by Dr. Krishna Lok Singh, Senior Principal Scientist, CSIR-Bengaluru, held on 04th March 2019 organized by Department of Aeronautical Engineering.
- **National Conference on Sustainable Development in Structural Engineering (NCSDSE'2K19)** in association with Indian Concrete Institute (ICI) inaugurated by Er. E. Vasudev Moorthy, Managing Director, Tools Academy, Bengaluru held on 07th March 2019 organized by Department of Civil Engineering.
- **National Conference on Emerging Trends in Information & Communication Technology (NCETICT'19)** in association with ICTACT, CSI and ISTE inaugurated by Dr. V. Baby Deepa, Assistant Professor, PG Research Department of Computer Science, Government Arts College, Karur held on 01st March 2019 organized by Department of Computer Science & Engineering.
- **National Conference on Recent Innovation in VLSI, Communication & Signal (RIVCS 2K19)** in association IETE and ISTE inaugurated by Wing Cmd. Dr. S. Raghavan, Senior Professor / ECE, National Institute of Technology, Trichy held on 27th February 2019 organized by Department of Electronics and Communication Engineering.
- **National Conference on Emerging Trends in Renewable Energy, Power Quality & Optimization (ETREPOOT'2019)** in association with IEEE inaugurated by Dr. P. Sivakumar, Professor in Electrical Engineering, Rajalakshmi Engineering College, Chennai held on 25th February 2019 organized by Department of Electrical & Electronics Engineering.
- **National Conference on Recent Trends in Manufacturing and Material Science Engineering (NCRMTMSE'2K19)** in association with IEI and SAEINDIA inaugurated by Mr. Sankaran Srinivasan Divisional Manager, (CQ PQ & CoCE) Central Quality, Ashok Leyland Limited Hosur held on 04th March 2019 organized by Department of Mechanical Engineering.
- **National Conference on Computing and Information Systems (NCCIS'19)** in association with ICTACT, CSI and ISTE inaugurated by Dr. G. Singaravel, Professor and Head, Department of Information Technology, K.S.R. College of Engineering, Tiruchengode held on 05th March 2019 organized by Department of Information Technology.
- **National Conference on Robotics and Automation Engineering (NCRAE'2K19)** in association with IEI, ISTE & SAEI inaugurated by Dr. I. Rahamathullah, Assistant Professor, Department of Mechanical engineering, Government College of Engineering, Srirangam, Trichy held on 06th March 2019 organized by Department of Mechatronics Engineering.
- **National Conference on Intelligence and Communication Technology (NCICT'19)** in association with ICTACT, CSI and ISTE inaugurated by Dr. V. Ashok Immanuel, Associate Professor, HOD/CSE & IT, Christ University, Bengaluru held on 13th March 2019 organized by MCA.
- **National Conference on Future of Green World Opportunities & Challenges -** inaugurated by Dr. A. Sridharan, Professor, Business Studies & Social Sciences, Christ University, Bengaluru held on 13th March 2019 organized by Department of Management Studies (MBA).



National Conference's - 2019

KNOWLEDGE PROFICIENCY

Technical Symposiums

- **ASTRONZ'2K18** - A National Level Technical Symposium held on 25th September 2018 inaugurated by Mr. Arunachalam – Scientist, ISRO Satellite Centre, Bengaluru organized by Department of Aeronautical Engineering.
- **INFRAZ'2K18** - A National Level Technical Symposium held on 20th September 2018 inaugurated by Er. E. Vasudev Moorthy, Managing Director, Tools Academy, Bengaluru organized by Department of Civil Engineering.
- **C-SPARK'2K18** - A National Level Technical Symposium held on 24th September 2018 inaugurated by Dr. S. K. Aruna, Associate Professor/ Faculty of Engineering, Christ University, Bengaluru organized by Department of Computer Science & Engineering.
- **ELECTROVISION'2K18** - A National Level Technical Symposium held on 18th September 2018 inaugurated by Dr. R. Sakthivel, Associate Professor, School of Electronics Engineering, VIT University, Vellore organized by Department of Electronics and Communication Engineering.
- **POWERGLITZ'2018** - A National Level Technical Symposium held on 17th September 2018 inaugurated by Dr. Nazar Ali, Associate Professor in Electrical Engineering, Rajalakshmi Engineering College, Chennai organized by Department of Electrical & Electronics Engineering.
- **TECHNIVAL'18** - A National Level Technical Symposium held on 15th September 2018 inaugurated by Dr. G. Singaravel, Professor and Head, Department of Information Technology, K.S.R. College of Engineering, Tiruchengode organized by Department of Information Technology.
- **TECHMEET'18** - A National Level Technical Symposium held on 19th September 2018 inaugurated by Dr. P. Elango, Professor, Department of Computer Science and Engineering, PSG Institute of Technology and Applied Research, Coimbatore organized by Department of MCA.
- **INSAMAZE'18** - A National Level Technical Symposium held on 19th September 2018 inaugurated by Mr. P. Manokaran, Technical Officer, DRDO and IEEE Madras Chapter Chairman and Dr. I. Rahamathullah, Assistant Professor, Department of Mechanical Engineering, Government College of Engineering, Srirangam, Trichy organized by Department of Mechatronics Engineering.
- **SOLIDUS'2K18** - A National Level Technical Symposium held on 24th September 2018 inaugurated by Dr. K. Venkateshwarlu, Principal Scientist in Material Science Division, NAL Bengaluru organized by Department of Mechanical Engineering.
- **EUREKA'2K19** - A National Level Technical Symposium held on 06th March 2019 inaugurated by Dr. S. Athimoolam, Head, Department of Physics, Anna University Constituent College, Nagercoil organized by Department of Science and Humanities.



National Level Technical Symposium 2019

FRESHERS INDUCTION PROGRAMME - 2018

Er. Perumal Manimekalai College of Engineering organized the Induction Program for the

- First Year B.E/ B.Tech (2018 - 2019) on 05th September 2018.
- PG First Year ME/MCA/MBA (2018 - 2019) held on 07th September 2018

Freshers Day was organized on 03.09.2018. The Resource person was

Program Highlights:

Our Honorable Founder Chairman Er. P. Perumal, PMC TECH Presided over the function had an interactive session with the students.

- Education is not preparation for life; education is life itself
- Take Responsibility for your Learning
- The students have the opportunity to learn new things, acquire new knowledge, develop new skills, and enhance your personal attributes in profound ways that will equip for life after engineering graduation.



Dr. K. Venkateshwaralu, Principal Scientist, CSIR – National Aerospace Limited, Bengaluru was the Chief Guest of the function.

- Motivated the students on Innovative Technology in Engineering Field.
- The students to develop themselves for Employability Skills
- Shared his views of job opportunities for the Engineers and Engineering Field.
- Suggested the students to make best use of the resources here and develop themselves as a Best Engineers.
- Also added that to grow into a successful professional, an individual needs to have good leadership qualities, excellent communication skills, stress bearing capacity, innovative ideas and self-confidence.

FRESHERS INDUCTION PROGRAMME - 2018

Mr. K. VijayaKumar, Additional Executive Engineer (IDGM)/ Quality Assurance BHEL, Ranipet was the Chief Guest of the function.

- You have to develop high aspirations
- Aspirations performance requires that you create targets, and work hard, fast, smart, honest and in a disciplined manner over a long period of time to achieve these targets.
- Aspirations build civilizations.

The Guest of Honor Mr. Charles Godwin, Motivational Speaker & HR – Business Leader and Corporate Trainer, Chennai addressed

- Inspired the students regarding Passion, Humility, Integrity & Respect and how it can help an individual to reach greater heights.

The program ended by creating a significant impact on the students of the college and motivating them to achieve great heights.



Induction Programme on ME/MBA/MCA

GUEST LECTURES

Our institution organized guest lectures by inviting eminent personalities from various Industries and Institutions to lend valuable information from their experiences to our students.

S. No.	Topic	Resource Person	Dept.	Students Participants	Date
Aeronautical Engineering					
1	Wind Tunnel Techniques	Mr. K. V. Karthikeyan, Professor, Sathyabama University, Chennai	AERO	IV	15.02.2019
2	Heat Transfer	Mr. K. V. Karthikeyan, Professor, Sathyabama University, Chennai	AERO	IV	22.02.2019
Civil Engineering					
3	Strength of Materials - I	Dr. G. S. Thirugnanam, Principal(RTD), IRTT, Erode	CIVIL	II	23.08.2018
4	Structural Analysis and Prestressed Concrete Structures	Mr. T. Sarathivelan, Assistant Professor, Department of Civil Engineering, Info Institute of Engineering, Coimbatore	CIVIL	III & IV	06.09.2018
5	Structural Dynamics and Earthquake Engineering	Dr. G. S. Thirugnanam, Principal(RTD), Institute of Road & Tra nsport Technology, Erode	CIVIL	IV	29.09.2018
6	Estimation and Quantity Surveying And Foundation Engineering	Mr. T. Sarathivelan, Assistant Professor, Department of Civil Engineering, Info Institute of Engineering, Coimbatore	CIVIL	III & IV	01.10.2018
7	Soil Mechanics	Mr. K. Sabarish Kumar Assistant Professor, Department of Civil Engineering, Info Institute of Engineering, Coimbatore	CIVIL	II	28.02.2019
8	Design of Steel Structures	Mr. T. Sarathivelan, Assistant Professor, Department of Civil Engineering, Info Institute of Engineering, Coimbatore	CIVIL	III	25.02.2019

GUEST LECTURES

9	Strength of Materials – II and Concrete Technology	Mr. T. Sarathivelan, Assistant Professor, Department of Civil Engineering, Info Institute of Engineering, Coimbatore	CIVIL	II	29.03.2019
Computer Science & Engineering					
10	Theory of Computation	Dr. B. Padmini Devi, Associate Professor of IT, M. Kumaraswamy College of Engineering, Karur.	CSE	III	31.08.2018
11	Grid & Cloud Computing	Dr. B. Padmini Devi, Associate professor of IT, M. Kumaraswamy College of Engineering, Karur.	CSE	IV	31.08.2018
12	Graph Theory & Applications	Mrs. V. HEMALATHA, Assistant Professor, Department of Mathematics, Vivekananda College of College of Technology For Women, Thiruchengode.	CSE	IV	21.08.2018
13	Digital Signal Processing	Dr. M. Ramasamy, Associate Professor/EEE, K.S.R.College of Engineering, Tiruchengode.	CSE	III	04.03.2019
14	Probability & Queuing Theory	Mrs. V. Hemalatha, AP/Maths, Vivekanandha College of Engineering, Tiruchengode.	CSE	II	12.04.2019
Electronics & Communication Engineering					
15	Control Systems	Mr. Sundaravadivel, Associate Professor, Department of EEE, K.S.R. College of Engineering, Tiruchengode	ECE	II	04.09.2018 & 01.10.2018
16	Signals and Systems	Dr. M. Ramasamy, Associate Professor, Department of EEE, K.S.R. College of Engineering, Tiruchengode.	ECE	II	30.08.2018 & 01.10.2018
17	Digital Signal Processing	Dr. C. Gowri Shankar, Associate Professor, Department of EEE, K.S.R. College of Engineering, Tiruchengode.	ECE	III	30.08.2018 & 01.10.2018

GUEST LECTURES

18	Transmission Lines and Wave Guides	Mr. D. Venkatesh, Assistant Professor, Department of ECE, PSG Institute of Technology and Applied Research, Coimbatore.	ECE	III	15.09.2018
19	Digital Image Processing	Dr. C. Gowri Shankar, Associate Professor, Department of EEE, K.S.R. College of Engineering, Tiruchengode.	ECE	IV	30.08.2018 &01.10.2018
20	RF & Microwave Engineering	Mr. D. Venkatesh, Assistant Professor, Department of ECE, PSG Institute of Technology and Applied Research, Coimbatore.	ECE	IV	15.09.2018
21	Electromagnetic Fields	Mr. S. Sree Southry Assistant Professor, Department of ECE, Sona College of Technology, Salem.	ECE	II	16.02.2019 & 26.04.2019
Electrical & Electronics Engineering					
22	Digital Logic Circuits	Dr. S. Albert Alexander, Associate Professor, Dept of EEE, Kongu Engineering College, Perundurai.	EEE	II	04.08.2018
23	Control systems	Mr. Sundaravadivel, Associate Professor, Dept of EEE, KSR college of Engineering, Tiruchengode.	EEE	III	04.08.2018
24	Electromagnetic Theory	Mr. S. Sree Southry, Assistant Professor, Dept of ECE, Sona College of Technology, Salem.	EEE	II	25.08.2018
25	Microcontroller Based System Design	Dr. B. Thiyaneswaran, Associate Professor, Dept of ECE, Sona College of Technology, Salem	EEE	IV	27.08.2018
26	Microcontroller Based System Design	Dr. B. Thiyaneswaran, Associate Professor, Dept of ECE, Sona College of Technology, Salem	EEE	IV	01.10.2018
27	Control Systems	Mr. Sundaravadivel, Associate Professor, Dept of EEE, KSR college of Engineering, Tiruchengode.	EEE	III	27.09.2018

GUEST LECTURES

28	Electromagnetic Theory	Mr. S. Sree Southry, Assistant Professor, Dept of ECE, Sona College of Technology, Salem.	EEE	II	01.10.2018
29	Global Prospects on Renewable Energy	Mr. Khor Hai Pu, Managing Director, Gold Palm Global Bhd, Malaysia.	EEE	II, III & IV	10.10.2018
30	Control Systems	Dr. A. Nazar Ali, Associate Professor, Rajalakshmi Engineering College, Chennai.	EEE	II	28.02.2019
31	Control Systems	Dr. A. Nazar Ali, Associate Professor, Rajalakshmi Engineering College, Chennai.	EEE	II	12.04.2019
Information Technology					
32	Digital Signal Processing	Dr. C. Gowrishankar, Associate Professor, Department of EEE, KSR College of Engineering, Tiruchengode	IT	II	27.09.2018
33	Analog and Digital Communication	Mr. J. Thiagarajan, Assistant Professor, Department of EEE, KSR College of Engineering, Tiruchengode	IT	III	27.09.2018 & 03.09.2018
Mechatronics Engineering					
34	Thermodynamics Principles and Applications	Dr. M. Murugesan, Professor & HOD, Department of MECH, KSR Engg. College, Trichengode.	MCO	III	18.11.2018
35	Design of Machine Elements	Mr. M. Shakthivel, Professor/MECH, Sengunthar Engineering College, Erode	MCO	III	28.09.2018
Mechanical Engineering					
36	3D Printing	Mr. S. Senthil Kumar & Mr. Dhana Sekar, Co- ordinators / IEDC, PMC TECH	MECH	II	27.02.2019 & 28.02.2019

GUEST LECTURES

37	3D Printing	Mr. S. Senthil Kumar & Mr. Dhana Sekar, Co-ordinators / IEDC, PMC TECH	MECH	III	01.03.2019 & 02.03.2019
38	3D Printing	Mr. S. Senthil Kumar & Mr. Dhana Sekar, Co-ordinators / IEDC, PMC TECH	MECH	IV	06.03.2019 & 07.03.2019
39	College to Corporate – Soft Skills	Indian Institute Of Technology, Bombay	MECH	III & IV	22.09.2018
40	Visionary Learning Community of India	Mr. M. Kadhivel Manager - Operations Head Harita Seatings System, Hosur	MECH	III & IV	21.08.2018
41	Visionary Learning Community of India	Dr. P. Rajasekaran Mr. S. Senthilkumar Mr. K. Udhayakumar, Assistant Prof's / MECH, PMC TECH	MECH	II	23.08.2018
42	Visionary Learning Community of India	Dr. P. Rajasekaran Mr. S. Senthil kumar Mr. K. Udhayakumar, Assistant Prof's / MECH, PMC TECH	MECH	III & IV	24.08.2018
43	Kinematics of Machinery	Mr. A. saktivel Assistant Professor / MECH, KSR College of Engineering, Tiruchengode	MECH	III	22.02.2019
44	Thermal Engineering	Mr. M. P Mohanraj Assistant Professor / MECH, PMC TECH	MECH	III	09.03.2019
Department of Science & Humanities					
45	Engineering Mathematics II	Mrs. S. Uma Maheshwari, AP/Maths, Vivekananda College of Engineering, Thiruchengode.	S&H	I Year AERO , MCO & MECH	02.04.2019
46	Engineering Mathematics II	Mrs.V. Manjubhashini, AP/Maths, Vivekananda College of Engineering, Thiruchengode.	S&H	I Year ECE & EEE	03.04.2019
47	Engineering Mathematics II	Mrs. S. Uma Maheshwari, AP/Maths, Vivekananda College of Engineering, Thiruchengode.	S&H	I Year CIVIL,IT & CSE	03.04. 2019
48	Engineering Mathematics I	Mr. K. Munusamy, AP/Maths, Vivekananda College of Engineering, Thiruchengode.	S&H	I Year CIVIL,IT & CSE	05.04. 2019

GUEST LECTURES

49	Engineering Mathematics I	Mr. R. Kumar, AP/Maths, Vivekananda College of Engineering, Thiruchengode.	S&H	I Year AERO , MCO & MECH	05.04. 2019
50	Engineering Mathematics – I	Mrs. S. Santhi, AP/Maths, Vivekananda College of Engineering, Thiruchengode.	S&H	I year ECE & EEE	30.10.2018
Master of Computer Applications					
51	Python Programming Language	Ms. S. Pooja, Programming Language Trainer, TVS Motors, Hosur	MCA	I & III	10.03.2019
52	Big Data Analytics	Mr. N. Suresh, Senior Software, Web O Minds, Bengaluru	MCA	I & III	14.02.2019
Master of Business Management					
53	Corporate Finance	Mr. R. Srinivasa Raghavan , Chartered Accountant, The Finance Academy, Hosur	MBA	II	30.08.2018
54	Aim & Succeed	Mr. K. Ramesh Srinivasan, Associate Consultant, Chennai	MBA	I & II	06.09.2018
55	Information Management	Ms. R. Sudha, Associate Professor, S.A. Engineering College, Chennai	MBA	I	15.03.2019



Guest Lecture on Corporate Finance



Guest Lecture on Block Chain Technologies

INDUSTRIAL VISITS

Our Institution is adopting industrial visits as a value-added learning method for Engineering, Technology and Management students. Industrial visits give greater clarity about practical experience for better understanding of work processes and business functions.

During 2018-19 comprising odd and even semesters of all the years, III CELL has arranged Industrial visits and tours to all the departments.



Ashok Leyland, Hosur



Electronica India, Bengaluru



IMTEX 2019, Bengaluru



Titan Industries, Hosur



IMTMA, Bengaluru



Rural Market Visit - MBA Students

INDUSTRIAL VISITS

Department	Company Visited	Date	Students Participation
Aeronautical Engineering	HAL heritage museum and Visvesvaraya museum Bangalore	10.08.2018	II & III
	IAF Airshow, Bengaluru	23.2.2018	II & III
Civil Engineering	Indian Institute of Science, Bengaluru	23.03.2019	II & III
	Water Treatment Plant. PWD. Krishnagiri	10.09.2018	II & III
Computer Science & Engineering	Infosys Technologies, Bengaluru	31.08.2018	II & III
Electronics & Communication Engineering	BIEC Centre, Bengaluru	28.09.2018	II, III & IV
	ISRO Satellite Center, Bengaluru	08.07.2018	III
Electrical & Electronics Engineering	Electronica India, Bengaluru	28.09.2018	II, III & IV
Information Technology	Infosys Technologies, Bengaluru	01.09.2018	II & III
Mechatronics Engineering	IMTEX-2019, Bengaluru	29.01.2019	II & IV
Mechanical Engineering	FANUC India Ltd., Bengaluru	13.03.2019	II
	Harita Seating's Pvt. Ltd., Hosur	28.02.2019	II
	IMTEX-2019, Bengaluru	30.01.2019	II & III
Science and Humanities	HAL Heritage Centre & Aerospace Museum, Bengaluru	26.09.2018	I year students of BE / B.Tech.
Master of Business Management	VST Tillers & Tractors, Hosur	22.03.2019	I
	SEBI, Bengaluru	04.10.2018	I
	TITAN Industries, Hosur	13.10.2018	I
	TVS Motor Company, Hosur	27.08.2018	II
	Ashok Leyland, Hosur	21.07.2018	II

INPLANT & INTERNSHIP TRAINING

Inplant and Internship Training is about getting the industry exposure which will help the students to know about how the industry works in the real-life scenario. During 2018-19 our students has undergone various industrial training given below:

S. No.	Name of the Student, Year & Dept	Name of the Company	Date
1	Ms.Pallavivaid, Final Year – AERO	HAL, Hyderabad- Aviation division	23 rd January to 23 rd April 2019
2	N. Dinesh, Third Year – AERO	Leo Automotives, Hosur	13 th to 23 rd June 2018
3	S. Karthik, D. Raja Patel, N. Dinesh, & T. Hariharan, Third Year – AERO	CIM Tools P vt. Ltd., Bengaluru	08 th to 25 th December 2018
4	Ms.Pallavivaid, Final Year – AERO	Taneja Aerospace and Aviation Limited, Hosur	15 th May to 14 th July 2018
5	D. Rajapatel, D. Nandheeshkumar, N. Munichandran, N. Dinesh, N. Rajasekaran, V. Karthick, M. Hariharan & A. Sathish, Third Year - AERO	CIM Tools Pvt. Ltd., Bengaluru	10 th to 27 th December 2018
6	N. Nonparasan, Y. Sakthivel, N. Keerthi, & K. Janani, Final Year – AERO	Green Wind Solar Power Tech, Pvt. Ltd., Bengaluru	17 th to 19 th January 2019
7	E. Karthick, R. Raviraj, D. Muralimohan & V. Arunkumar, Final Year – AERO	Green Wind Solar Power Tech, Pvt. Ltd., Bengaluru	17 th to 19 th January 2019
8	G. S. Jayashree, Final Year – Civil	Larsen & Toubro, Chennai	12 th to 27 th January 2019
9	A. K. Santhosahkumar, D. Prasanth, N. Bharath, B. Tamilselvan, E. Krishnamoorthy & K. S. Prabhakar Bharathi, Third Year – Civil	Chendur Sidhan Construction Limited, Hosur	03 rd to 13 th December 2018
10	G. Eswaran & C. Nandheesh, Third Year – Civil P. Anbalagan, M. Muthukumar, S. Desighurajan & K. Jothilingam, Final Year – Civil	Public Works (Water Resources) Department, Krishnagiri	03 rd to 12 th December 2018
11	Anjana Mohandas, Final Year – Civil	Balfour Beatty Infrastructure India Pvt. Ltd, Bengaluru	28 th May to 1 st June 2018
12	D. Shiva Shankar, T.C. Manu Jayanth,V. Thirumalesh & K.J. Nandha, Second Year – CSE	GoEcode Technologies, Bengaluru	10 th to 14 th December 2018
13	S. Roja, Second Year – CSE	ARSOM CNC Pvt. Ltd., Bengaluru	10 th to 14 th December 2018

INPLANT & INTERNSHIP TRAINING

14	G. Hema sri, P. Umasri & M. Priyanka Second Year – CSE	BSNL, Dharmapuri	10 th to 14 th December 2018
15	S. Nanthitha, S. Ramya, S. Mahalakshmi, S. Monika, S. Jagadeeshwari, N. Kaviya & T. Karthika Second Year – CSE	HITECH Industries, Hosur	10 th to 15 th December 2018
16	P. Yasaswini, Second year – CSE	Apple Auto Pvt. Ltd., Bengaluru	10 th to 14 th December 2018
17	M. Priya, Second year - CSE	ALF Engineering Pvt. Ltd., Hosur	10 th to 15 th December 2018
18	B. Geetha, Second year - CSE	ARSOM CNC Pvt. Ltd., Bengaluru	10 th to 14 th December 2018
19	S. Komala, S. Keerthana, M. Bhuvaneshwari, B.N. Amurtha, G. Mahima & N. Nithya Second year - CSE	Hema Engineering Ltd., Hosur	11 th to 16 th December 2018
20	M. Divya, Second year - CSE	Vignesh Agri Exports, Hosur	11 th to 16 th December 2018
21	R. Ann Benny Croft Shiny, Third Year - CSE	AB Innovative Software Pvt. Ltd., Bengaluru	01 st to 12 th June 2018
22	R. Aiswarya, Third Year - CSE	Yees Vee Pess Components, Hosur	02 nd to 04 th June 2018
23	S. K. Thenmozhi, Third Year - CSE	Yees Vee Pess Components, Hosur	02 nd to 04 th June 2018
24	B. Baby Prasanna, S. Roopasri, C. Ashwini, K. S. Ramya Lakshmi, M. Archana, V. Monika, S. R. Amrisha, K. Punithavalli, AN. Alagumeenal, P. Kirtan, D. S. Balaji & S. Avinash, Second Year - ECE	Hosur Technika Pvt. Ltd., Hosur	26 th to 30 th November 2018
25	S. Aswini, Third Year - ECE	BSNL	11 th to 15 th June 2018
26	A. Sheik Zaidh, Third Year - ECE	Flappjack Systems Pvt. Ltd., Hosur	01 st to 30 th June 2018
27	M. Harikrishnan, Third Year - ECE	Gayathri Technocrats, Hosur	11 th to 14 th June 2018
28	K. Anandhi, M. Kiruthika & J. S. Tharani, Third Year - ECE	Ascent Circuits Pvt. Ltd., Hosur	10 th to 13 th December 2018
29	B. Baby Prasanna, S. Roopa Sri, C. Ashwini, K. S. Ramya Lakshmi, V.	Hosur Technika Pvt. Ltd., Hosur	26 th to 30 th November 2018
30	M. Divya, D. Hamsa & R. Harshitha, Third Year - ECE	BSNL, Hosur	10 th to 15 th December 2018
31	D. S. Balaji, Third Year - ECE	Sun Tech Electricals, Bengaluru	10 th to 14 th December 2018

INPLANT & INTERNSHIP TRAINING

32	N. Naveenkumar, Final Year - EEE	Tamilnadu Generation & Distribution Corporation Ltd, Namakkal	18 th to 22 nd June 2018
33	G. Ashok Second Year – EEE	One Yes Technologies, Chennai	16 th to 21 st November 2018
34	V. Gurumurthy Final Year – EEE	Indigo Motors, Bengaluru	10 th to 14 th December 2018
35	R. Ganeshkumar, S. Sasikumar & A. Sarath, Final Year – EEE	Tamilnadu Generation & Distribution Corporation Ltd., Namakkal	10 th to 14 th December 2018
36	N. Vishnu Priya, Second Year – EEE	Power Tech Prod ucts, Hosur	10 th to 15 th December 2018
37	E. Ashwini, S. Sasi, S. Sankari, S. Bharathi, K. Dhileep, M. Sundar, N. Kesavan, M. Logesh, M. Thirumalesh & V. Saravanan, Second Year - EEE	OJUS Power and Technologies Pvt. Ltd., Hosur	11 th to 15 th December 2018
38	S. Bharathi, S. Deekshitha, S. Sasi, S. Sankar, N. Vishnupriya & B. Yugadharshini, Second Year - EEE	Aditya Birla Pvt. Ltd., Hosur	29 th & 30 th June 2018
39	R. Jishnu, Final Year – EEE	Unique Technologies, Chennai	21 st to 31 st May 2018
40	P. Sureshkumar, M. Manigandan & T. Harishankar, Third Year – MCO	RENINFO Technologies, Chennai	04 th to 08 th September 2018
41	Y. Adesh & I. Abdul, Third Year – MECH	Ashok Leyland, Hosur	04 th to 06 th June 2018
42	B. Aravind, Third Year – MECH	Titan Industries, Hosur	12 th to 19 th June 2018
43	M. Govindaraj, Third Year – MECH	Ratna Packaging Pvt. Ltd, Hosur	23 rd to 30 th May 2018
44	S. Karthick, Final Year – MECH	Radha Krishna Associate, Bengaluru	05 th to 19 th June 2018
45	V. Devesh, R. Gunasekar, G. Mahesh, G. Mahesh & R. Kaliyappan, Final Year – MECH	Rahul Industries, Hosur	06 th to 07 th June 2018
46	R. Jawahar Surya, Final Year – MECH	PG Industries Private Limited, Hosur	12 th to 21 st June 2018
47	P. Mohana Sundaram, Third Year – MECH	BSNL, Dharmapuri	21 st to 22 nd May 2018
48	U. Uttam Barik & D.A. Vijay Aditya, Final Year – MECH	AMS Steel Casting Private Limited, Hosur	06 th to 08 th June 2018
49	S. Srikanth, Final Year – MECH	Titan Industries (Watch Division), Hosur	20 th to 24 th June 2018

INPLANT & INTERNSHIP TRAINING

50	S. Santhosh & R. Sathish Kumar, Third Year - MECH	Ashok Leyland, Hosur	31 st December 2018 to 05 th January 2019
51	C. Munikrishnan & J. Santhosh, Third Year – MECH	LEO Automobiles, Hosur	14 th to 17 th December 2018
52	S. Harish Babu & P. Kishore , Second Year - MECH	TITAN Engineering Automation Limited, Hosur	01 st to 05 th December 2018
53	G. Ajay, P. BalaKrishnan, K. Dilip Kumar, & J. Surya, Final Year – MCA	SP Network Solution & Computer Consumable. Hosur	21 st to 25 th May 2018
54	A. Aravindhnan, Final Year - MCA	McAfee Software India Pvt. Ltd., Bengaluru	05 th to 15 th June 2018
55	P. Kokila, M. Aruna, A. Santhiya, & S. Rekha, Final Year - MCA	Bothofus Pvt. Ltd. Velachery, Chennai.	21 st May 2018 to 8 th June 2018
56	N. Kavitha, E. Asha, & S. Sathiya, Final Year - MCA	Pre Matrix, Hosur	21 st May 2018 to 25 th June 2018
57	M. Sivaranjani, V. Kasthuri, & V. Selvi , Final Year - MCA	Website Develop Company, Hosur	21 st May 2018 to 25 th June 2018
58	S. Nivetha.S, J. Punitha.J, & N. Savitha, Final Year - MCA	MRT Engineering Solutions, Bengaluru	22 nd May 2018 to 2 nd June 2018
59	V. Kumar, P. Tamilarasan, & N. Vishwanath, Final Year - MCA	KVT Network Solution & Computer System, Hosur	23 rd to 25 th May 2018
60	S. Santhosh Kumar & K. Sudharsan Second Year – MBA	TVS Logistics Services Ltd., Hosur	05 th October 2018 to 05 th January 2019
61	B. Abirami & K. Satya, Second Year – MBA	First Steps Baby Wear Pvt. Ltd	23 rd October 2018 to 10 th January 2019
62	K. Muthuragavan, Second Year – MBA	Force Motors, Hosur	24 th December 2018 to 25 th February 2019



Training at Harita Seating Systems

AWARDS AND RECOGNITIONS

- Our Institution has accredited by **NAAC with B++ Grade** and attained recognition of **ISO 9001:2015** certification for Quality Systems.
- Our Institution has recognized as a Scientific and Industrial Research Organization (SIRO) by DSIR, Ministry of Science and Technology, Govt. of India to promote scientific research activities.
- **Data Quest Magazine** - India's Best Private T-Schools ranked our Institution in **64th Position** in National Level in its Engineering College's Survey.
- **Carrier 360** - The Education Hub has recognized "**A+ Grade**" for our Institution for the academic year 2018 - 2019.
- **Indian Institute of Technology (IIT) - Bombay** awarded the "**4 Star Rating**" for PMC TECH, successfully conducting several students and faculty development programmes.
- **Amirta University Virtual Labs** - An Initiative of MHRD Under the National Mission on Education through ICT ranked our Institution at **4th place** using the virtual labs for the effective learning of students
- **Infosys Technologies** recognized "**Partner in Success 2019**" as "**Advanced Partner Institute**" status for excellent contribution in Infosys Campus Connect Programme.
- **Institution of Engineers (India)** has been awarded "**IEI Best Faculty Advisory Award**" to Prof. R. Karthikeyan, HOD / Aeronautical Engineering for the IEI students chapter activities.
- Rula Awards has been awarded "**Research Peace Award**" to Mr. M. Sahithullah, for participating under the title "Best Researcher in Power Electronics and Drives" held on 01st August 2019.
- **Quality Circle Forum of India (QCFI)** - Hosur Chapter in association with TVS Motor Company, Hosur has been awarded "Gold Award" to Mr. M. Sahithullah, MR/ISO & Mrs. G. Sasikala, HOD/EEE, Mr. R. Jini Raj AP/AERO & Mr. B. Perumal, AP/CIVIL for presenting the best article in 3rd Conference held on 07th October 2018.
- **Quality Circle Forum of India (QCFI)** - Hosur Chapter in association with TVS Motor Company, Hosur has been awarded "Silver Award" to Dr. P. Rajasekaran, HOD / MECH, Mr. R. Balaji, Mr. K. Udayakumar and Mr. M. Muniraj Assistant Professors /MECH for presenting the best article in 3rd Conference held on 07th october2018.
- Indian Society for Technical Education awarded our students "**Best Student Branch Award**" for the academic year 2018 - 2019 to S. Rajesh, III Year EEE.



**Award Received from
Quality Circle Forum of India (QCFI)
Hosur Chapter**



**Award Received from
District Collector Krishnagiri for
District Skill Summit -2019**

SCIENTIFIC AND INDUSTRIAL RESEARCH ORGANIZATION

Approved Research Labs by DSIR, New Delhi.

Objective

- To promote activities in the area of scientific and industrial research, design and development of indigenous technology to achieve technological self-reliance and minimize foreign inputs.
- The scheme will undertake activities for the extension of knowledge in the field of agricultural, engineering and technology, natural and applied sciences, medical and social sciences.



Purpose

- PMC Tech undertakes activities for the extension of knowledge in the field of natural and applied sciences, agricultural and social sciences, with well defined, time bound research programmes and clearly stated objectives of undertaking scientific and industrial research, design and development of indigenous technology to achieve technological self-reliance and minimize foreign inputs.
- The SIROs recognized by DSIR are eligible for customs duty exemption and excise duty waiver on import of equipment/instruments and their spares and consumables.
- With the SIRO status, learning centres were setup in campus, which enable the students to carry out research activities for their innovations.

WOMEN TECHNOLOGY PARK (WTP)

Empowerment & Development Programme of Rural Women promoted in 2016.

Centre for Enhancement of Livelihood and Enterprise Models for Rural Women (CELEM) Scheme

Our Services:



Awareness



Skill Training



Empowering



Networking



Micro Enterprises

WOMEN TECHNOLOGY PARK (WTP)

PMC Tech - Women Technology Park is funded by Department of Science and Technology under the scheme Centre for Enhancement of Livelihood and Enterprise Models for Rural women (CELEM) in Shoolagiri Taluk. The purpose is to emphasis equity in development, so that the benefits of technological growth reach the majority of the population, particularly the disadvantaged sections, leading to an improved quality of life for every citizen of the country.

PMC Tech - WTP focuses on converting CNC, 3D Printing and Recycling technics to develop consumer products Neck rest pillow, Customised 3D Chocolates and bricks from granite waste and products from e-waste shredded plastics.

Infrastructure

The following well equipped setup is available for training and production

- CNC Hot wire cutter setup
- Brick making unit
- E-waste shredder
- Sewing setup
- Chocolate 3D printer
- Weeding machines

Training Programs offered

To train rural women, well-structured training programs were provided on

- Operations on CNC wire cutter
- Brick making training
- Operating E-waste shredder
- Sewing training
- Training on 3D printing techniques
- Operation and maintenance on weeding machine

Services offered

- Awareness - Women empowerment, Entrepreneurship
- Skill Training
- Providing forward and backward linkages for income generation
- Guiding in Business model preparation
- Connectivity with Mentors / Technical expertise to ensure outcomes

WOMEN TECHNOLOGY PARK (WTP)

Milestones Attained so far



Technology Interventions

- Neck Rest Pillow with memory use (Consumer Goods) - Developed & Marketed
- Brick making from granite waste (Construction Sector) - Developed
- Mechanical Weeding Unit (Agricultural Use) - Developed



Capacity Building & Skill Development Programs

- Overall 27 Training programs on technology interventions
- Trained 160 women on Technology Interventions.
- Graduated 4 women entrepreneurs based on Neck rest pillow
- Graduated 3 women entrepreneurs with Brick making



Infrastructure Development / Human Resources

- Established a facility on all 6 technology interventions
- Established MoU with NAFEMS, Poly Tech Solutions and TPO Technologies as a training partner for skilling the women in 3D Printing, Brick manufacturing, waste management
- Connectivity with experts from EDII, MSME and other reputed organisations

Training Programs conducted

Neck Rest Pillow making



Neck Rest Pillow - Graduated Women



WOMEN TECHNOLOGY PARK (WTP)

Brick from Granite waste



Chocolate 3D Printer



E-waste segregation and preprocessing model



Weeding unit for Agricultural applications



WOMEN TECHNOLOGY PARK (WTP)

Neck Rest Pillow - Market Survey / Sales



Awareness Program

PMC Tech WTP organised one day awareness program on “Technology based self-employment and entrepreneurial training for rural women” with objectives to create awareness on self-employment, schemes available for women, women health, entrepreneurship challenges and opportunity for Women on 5th December, 2019 at PMC Tech auditorium for the participants of WTP training program.

The program was presided by Er. P. Perumal, Chairman of PMC Tech institution, Deputy Collector Mr. A. Ayappan as Chief guest, felicitation address by Mr. P. Kumar, Secretary of PMC Tech institution, Mrs. P. Mallar, Trustee of PMC Tech institution. Mr. C. Manoharan, Secretary of IDEAL , Dr. Rekha Rajesh, Director, Vijay Hospital, Hosur, Mrs. Kiruthika Sakthimohan, Managing Director, Hydromech, Hosur and Mrs. P.M. Muthu Bharathi, Managing Director, Kitchen Catalysts, Krishangiri delivered guest speech.



WOMEN TECHNOLOGY PARK (WTP)



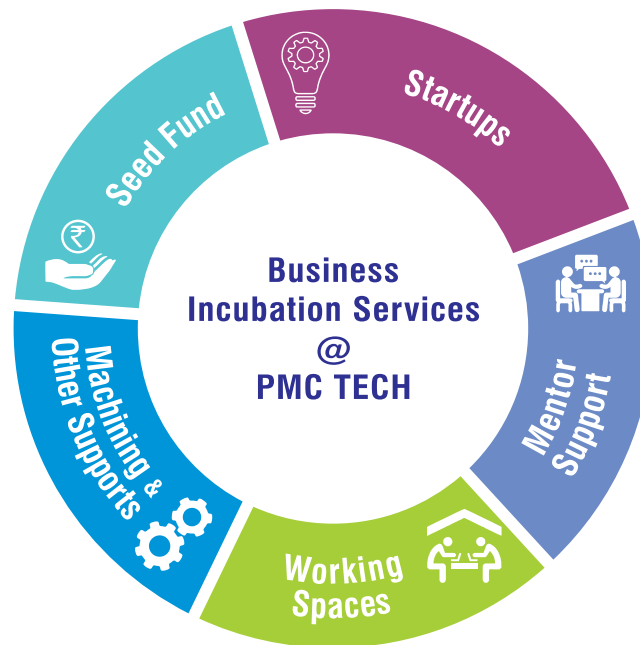
Certification Distribution program

Training certificates were issued to the participants on 25-5-2019 for the training programs conducted for 2nd year.



MSME - BUSINESS INCUBATION CENTRE

PMC TECH - MSME Incubation Centre aims to promote development of knowledge based innovative ventures and to improve the competitiveness and survival instincts of the MSMEs. Our Incubation Centre provides to identify and create a favorable eco system for encouraging the **start-ups** and helps by providing them with mentor support, to help in finding customers, influences, investors and other entrepreneurs of same domain. It's a space and community that encourages, supports and fosters new technologies that transform lives and businesses.



Startup's Company at PMC TECH



SIGNMATE
(Provide IoT Health Care Solutions)



VITALYFE
Care Ourlives

- The Ministry of MSME has sanctioned a grant of Rs. 13.75 lakh towards various innovative projects developed by the students.
- The funds have been sanctioned under the MSME's support for entrepreneurial and managerial development of SMEs through incubator scheme.

INNOVATION AND ENTREPRENEURSHIP DEVELOPMENT CENTRE - IEDC

National Science and Technology Entrepreneurship Development Board (NSTEDB)



Promoted in PMC TECH in 2014, with a vision to develop Institutional mechanism to create Entrepreneurial Culture in Science & Technology and to foster techno-entrepreneurship for generation of wealth and employment by science and technology persons.



Students Innovative Projects

The Projects give the space where student's ideas are refined into workable projects that are product-oriented and in order to develop beneficial products of commercial use. Since its inception at PMC TECH, the IEDC has funded a total of 31 student's projects.

Support provided by IEDC

Activity	Description
Mentor support	To choose Innovative ideas, collection of relevant data, and preparation/ presentation of PPT and
Project execution	Execution of project with in stipulated time
Networking	Connect to relevant Industries/ people
Workshops	Refer / Organize relevant workshops for students
Toolkit	Sharing available DATA base and Forms
Calendar	To maintain the forth coming events

Name of the Program	Out Come
Ideas Camp for 2nd and 3rd year engineering graduates were conducted during even semester to collect innovative ideas from students.	No of Sessions – 22 No of Participants – 600 Ideas collected - 221
3 Days Entrepreneurship Awareness Camp from 26th – 28th March, 2018, in association with Entrepreneurship Development Institute of India (EDII), Bangalore	No of participants – 90
Certification program “3 Days Hands on Training in Additive Manufacturing” was conducted in 2 batches during January 2019 for PMC Polytechnic students	89 DME – Tool & Die Students of PMC Tech Polytechnic received certificates from SAM3D

Name of the Program	Out Come
Supporting Atal Tinkering Lab of Bagalur Govt. HSS, Bagalur, Hosur for Innovation related activities.	4 students are volunteering for ATLLab Supported to organise Project Exhibition/ Developed Working models for Inspire India Competition.

IEDC Review Meeting - 2019

IEDC Review was conducted on 24th January 2019 in the presence of an advisory committee headed by Dr. Naveen Vasishtha, Director/Scientist F, Department of Science and Technology, New Delhi.



Demo on Pesticide spraying Robot



Demo on Low cost Mechanized Floor Cleaner



Dr. Naveen Vasishtha Addressing Students

List of Completed Funded Projects for 2018-2019

I. Efficient and Cost Effective Mechanized Floor Cleaning Device

INTRODUCTION

To develop a efficient and cost effective mechanised floor cleaning device.

SCOPE OF THE WORK

Design and develop a floor cleaning system that is lighter, ergonomic easy to use and of low cost.

INNOVATION

The system is fully automated, usage of simple DC motors (Made in India), revolving with attached wheels, with flexible design structure enabling more comfort level for the users

- ❖ Light weight and Low cost
- ❖ Ergonomic Design
- ❖ Efficient Cleaning
- ❖ Operating ease
- ❖ Better Durability



COMPONENT USED FOR PRODUCT DEVELOPMENT

- ❖ Tripod with wheel
- ❖ Electric switches with Speed Regulator
- ❖ Main bass made of nylon material motor miffing
- ❖ Electrical wires junction box with three pin top
- ❖ Clamps for motor with Base
- ❖ Main Housing
- ❖ Main Motor
- ❖ Water Container Tray
- ❖ Motor and Mopping Unit Connecting Flange
- ❖ Main Operating Handle Unit
- ❖ Mopping Unit
- ❖ Rubber Handle Grip
- ❖ Water Flow Pump
- ❖ Screw, Bolts, Washers
- ❖ Water Pump Adapter
- ❖ Water Pipe Unit

S. Karthik, A. Lokesh, Karthik, M. Balamurugan
Department of Mechanical Engineering

2. Automation of Pesticide Spraying in Greenhouse Farming using Industrial Robot

INTRODUCTION

India contributes one fourth of world production of capsicum with an average annual production of 0.9 million tons from an area of 885000 hectare with a productivity of 1266 kg per hectare. Capsicum is a popular greenhouse cultivated vegetable which is profitable to the farmers. Capsicum growing relies heavily on pesticide and needs to be sprayed every 6 days.



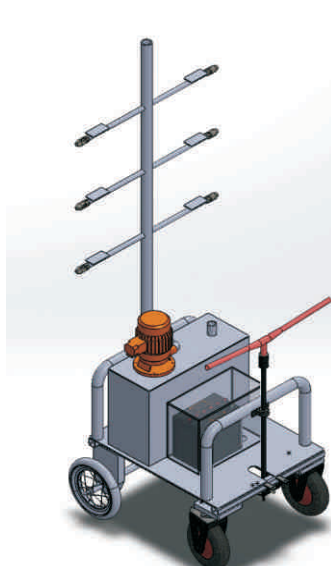
SCOPE OF THE WORK

Compared to spraying pesticides manually outdoors, the environment in greenhouse is more closed with higher temperature and humidity. Farmers indiscriminately use pesticides to avoid crop loss due to pest and fungal infections. Field study carried out in capsicum greenhouse farms show inefficient manual spraying due to the height of the plants (about 9 feet) leading to multiple applications with the hope pests are killed randomly.

INNOVATION

- ❖ We are designing a pesticide spraying robot with GPS, camera and 6 spraying nozzles at three levels. We are using temperature and moisture sensor to monitor the green house for adequate application of pesticides. GPS to control the movement of robot.
- ❖ Camera can be used to find effectiveness of spraying and to control robot.
- ❖ 6 Spraying nozzles at three levels (height) is used to spray the pesticides evenly.

COMPONENT USED FOR PRODUCT DEVELOPMENT



- ❖ Battery (Chargeable by Electricity and solar)
- ❖ 2 AC motor Robotic Chassis Tyres Relay Board
- ❖ Microcontroller
- ❖ Remote control Spraying Pump for pesticide spraying.
- ❖ Storage Tank
- ❖ Sensors (Temperature, Liquid Level, Moisture)
- ❖ Camera (3)
- ❖ GPS tracker
- ❖ Nozzle (4)

Sunil Kumar Nagori, Anish vishwakarma G, Praveen Kumar N, Naveen V, Soundarya K, Harish R
Department of Computer Science and Engineering

3. Mobile based ECG Monitoring System

INTRODUCTION

There has been a global problem that 31% of the old aged people are affected with cardiac problem and every 30 seconds a person die due to heart disease, of this 25% of death is in age group between 25 to 28 years.

SCOPE OF THE WORK

- ❖ To monitor the person and prevent emergency situation by informing the patient to take action before it get worse.
- ❖ To monitor the heart rate and to differentiate normal and abnormal rates.
- ❖ To design a simple, easy portable device and to develop an algorithm to identify whether a person is having cardiac disorders.



INNOVATION

- ❖ Automatic heart rate monitoring system.
- ❖ Information regarding the heart rate obtained by using two electrodes.
- ❖ It allows patients to maintain independence, prevent complications, and minimize personal costs.

COMPONENT USED FOR PRODUCT DEVELOPMENT

- ❖ Microcontroller
- ❖ Bluetooth module
- ❖ Two electrodes
- ❖ Android device
- ❖ LCD display

Harshitha .A. P. A, Kalaivani .R, Suja .S, Nandhini .V, Yashshvini .C, Prakash .V
Department of Electronics and Communication Engineering

4. Clean Rest - An Intelligent Ozonation System for Public Rest Room

INTRODUCTION

In India, it's a big issue for maintaining the public restrooms. Public restrooms are characterized by bad odours, contamination due to the high usage of rest room. The existing technology for maintaining the restroom is just an exhaust fan, Filters.

SCOPE OF THE WORK

- ❖ To automatically monitor the temperature and humidity in the rest room.
- ❖ To determine the limits and provide warning when it exceeds.

INNOVATION

- ❖ Ozone technology has the potential to act as a disinfectant and as a safer alternative than some current disinfectant chemicals.
- ❖ The half-life time (hlt) of ozone is calculated to reduce the initial concentration by half as it has less effective treatments during exposure.
- ❖ HLT is calculated based on mathematical formula



$$y = w_1 + w_2 x_1 - w_3 x_2 - w_4 x_3 - w_5 x_4$$

COMPONENT USED FOR PRODUCT DEVELOPMENT

- ❖ Hygrometer
- ❖ Fan Controller
- ❖ Humidifier
- ❖ Ozone Generator

Kantha Choudhary. M, Nageshwari. M, Keerthana. V, Sameera Thabasum. S, Latha. C
Department of Computer Science and Engineering

5. Development of Thermoforming Unit for Dental Application

INTRODUCTION

Thermoforming is a manufacturing process where a plastic sheet is heated to a pliable forming temperature, formed to a specific shape in a mold, and trimmed to create a useful product, in this project thermo forming technique is used for making Dental Aligners.

SCOPE OF THE WORK

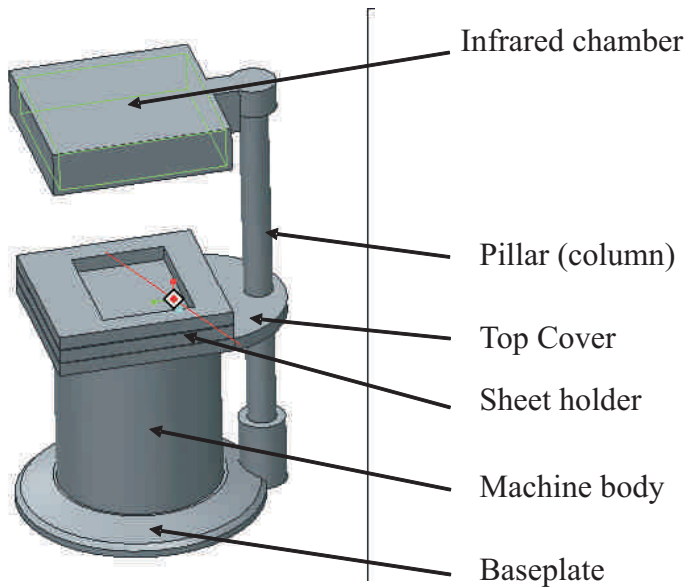
- ❖ To develop a cost effective portable Thermo forming machine which can be used for other applications, where a mold can be made with a real product.



INNOVATION

- ❖ Cost effective
- ❖ Portable
- ❖ Multi Purpose usage - Dental, Toys making, Packaging blisters, Medical packaging, Pick and place trays, Shipping trays, Retail Clamshell Packaging, Mold for Clay making

COMPONENT USED FOR PRODUCT DEVELOPMENT



- ❖ Ceramic Infra-red heater
- ❖ Heater holder
- ❖ Pillar (column)
- ❖ Sheet (Thermoplastic)
- ❖ Sheet holder
- ❖ Spring loaded hinges
- ❖ Ball knobs
- ❖ Vacuum pump
- ❖ Single switch
- ❖ Vacuum plate
- ❖ Base plate
- ❖ Rubber bush
- ❖ Pin top

V. Jagadesh Babu, S. Arvind Kumar, C. Munikrishnan, R. Sunil Kulala
Department of Mechanical Engineering

FEATURES OF IEDC @ PMC TECH

**1,00,000 Sqft.
dedicated
Innovation Centre**

**Rs. 48 Lakhs Grant
received from
Dept. of Science & Technology
Government of India**

MOU Signed with



GenNext Entrepreneurs

30+
**Products
Developed**

PMC TECH - FANUC CENTRE FOR CNC & ROBOTICS TRAINING

Centre for Advanced CNC and Robotics was setup in association with Fanuc India Limited and the centre is approved by FANUC as an authorised training centre. The centre is equipped with CNC machines with Fanuc controllers, Fanuc NC guide and Roboguide simulators and Fanuc robots. PSG has been imparting training on CNC programming, operations & maintenance on Fanuc CNC controllers since 1999.

ABOUT THE COURSE

Development of CNC is an outstanding contribution to the manufacturing industries. With the help of CNC technology, it has been possible to integrate production equipment into a totally computer-controlled environment. So it becomes essential to update the knowledge of practicing engineers in the areas of diagnostics, troubleshooting and maintenance of CNC machines. The course content is framed to provide an in depth knowledge on the present state-of-art technology

OBJECTIVE OF THE COURSE

- To induce knowledge on the basics of CNC technology and their latest developments.
- To develop all participants capable of independently program, operate, maintain and trouble shoot CNC machines.

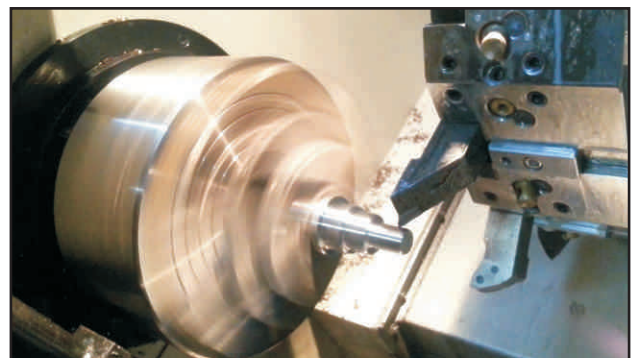
FACILITIES AVAILABLE

- CNC Lathe with Fanuc Controller
- Galaxy CNC Lathes with Fanuc Controller
- MG CNC Turning Centres with Fanuc Controller
- CNC Milling with Fanuc Controller
- Fanuc NC Guide Software

COURSES OFFERED

❖ CNC Programming Turning

❖ CNC Programming Milling



FANUC Certification | **FANUC** Certified Faculty | On Job Training

PMC TECH - YASKAWA CENTRE FOR ROBOTIC WELDING & AUTOMATION

PMC TECH offers Industrial Automation & Industrial Robotics, specially designed for engineering students. It focuses on applying precise mathematical applications to create and program Electronic, Mechanical and Pneumatic Systems. The aggressive industrial training program includes comprehensive practical and practice training sessions based on live projects.

PMC TECH - Yaskawa Offers Certification Programs:

- Industrial Control & Automation Training
 - Industrial Process Automation Lab
 - Industrial Robotics Training
-
- PG - Diploma in Factory Automation
 - PG - Diploma in Industrial Robotics Training
 - Mater Diploma Training Programs
 - P. G Diploma in Automation & Robotics Training





Visionary Learning Community of India

VISIONARY LEARNING COMMUNITY OF INDIA (VLCI)

In Collaboration with



Japan International Co-operation Agency



Confederation of Indian Industry

Supporting Industries:



Harita Seating System Ltd.



Tractors And Farm Equipments

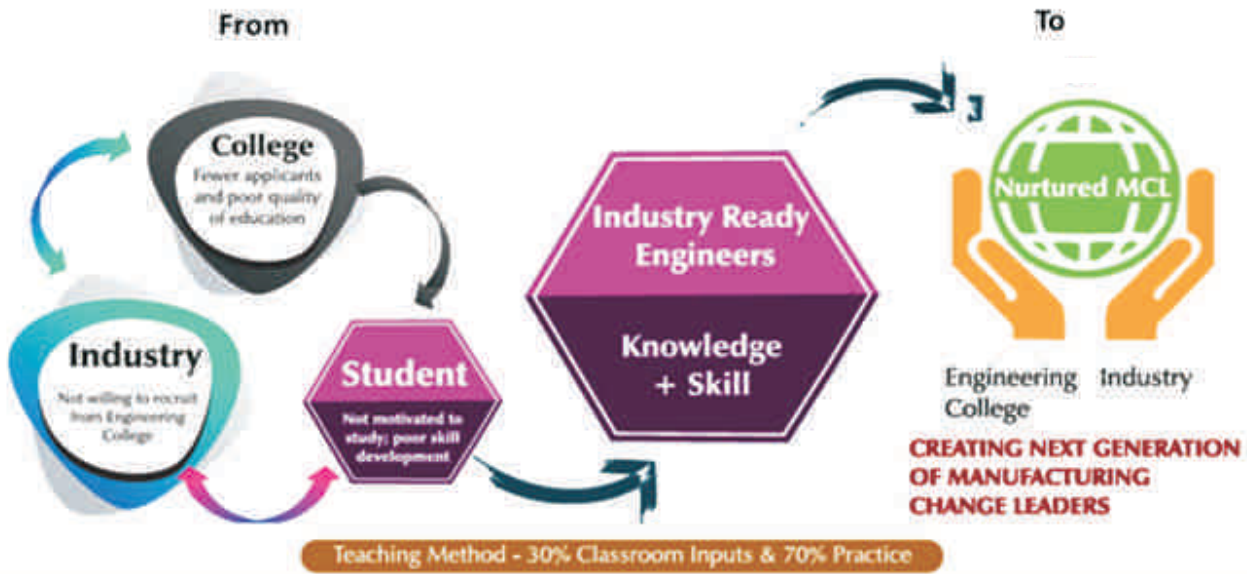


Harita Fehrer Limited

As a part of Industry Academic Institute based Visionary Learning Community of India's -Centre of Excellence was set up at PMC TECH in the year 2018. The centre has been established with the collaboration of CII (Confederation of Indian Industry) and JICA (Japanese International Cooperation Agency) in association with TVS - Harita Seating Systems Ltd

PROGRAM HIGHLIGHT:

The VLCI will help to develop next generation Manufacturing Change Leaders (Engineering Graduates) through a unique teaching-learning process of classroom teaching and industrial training. This will also train the faculty and industrialists about flow management system and productivity improvement.



Students Training on Manufacturing Change Leaders



MHRD & AMIRTA UNIVERSITY - VIRTUAL LABORATORIES UNIVERSALIZING EDUCATION CENTRE @ PMC TECH

Value Virtual Labs is an initiative of the MHRD, Government of India under the National Mission on Education through Information and Communications Technology (NME-ICT).

Objective:

- Provide remote access to Labs in various disciplines of Science and Engineering with IIT's of India.
- This would help them in learning basic and advanced concepts through remote experimentation and provide a complete Learning Management System around the Virtual Labs
- Share costly equipment and resources, designed for 24 X 7 usage and provides wider & safer options for innovative experiments through this Virtual Lab.

Broad Areas of Virtual Labs

- Electronics & Communications
- Computer Science & Engineering
- Electrical Engineering
- Mechanical Engineering
- Chemical Engineering
- Civil Engineering
- Physical Sciences
- Chemical Sciences

Highlights of Virtual Labs

- Accessing 120+ Labs from IIT's of India
- **Our Institution is placed at 4th position in India on Virtual Lab Usage.**

Wipro Technologies - Mission 10X Technology Learning Centre (MTLC)

Mission 10X Technology Learning Center (MTLC) @ PMC TECH is a Wipro Technologies initiative to enhance the Engineering attributes of the Engineering graduates through Project Learning (PBL). PMC TECH gain hands-on exposure in advanced technologies and gives them the experience of working in real time to make them industry-ready.

The 3 benefits of PMC TECH - Mission 10X are

- Empowering Faculty members to use Mission 10X Learning Approach (MxLA)
- Developing transformative Academic Leaders to build institutions of excellence
- Deploying Unified Technology Learning Platforms (UTLPs) to bridge the gap between industry and academia.

The Spoken Tutorial Centre promoted by IIT Bombay is the Initiative of the “Talk to a Teacher” activity of the National Mission on Education through Information and communication Technology (ICT), launched by the MHRD, Government of India, The Spoken Tutorial Project is based on Teaching and Learning of Free and Open Source Software.

Recognitions Accorded to PMC Tech by IIT Bombay

1. Conferred the status of SUPER RESOURCE CENTRE (SRC) to cover the entire Krishnagiri District for benefitting to surrounding colleges.
2. PMC TECH is now the part of Tamil Nadu Foss Clubs by becoming FOSS Centre (Free open sources software lab) effective 02 March 2016.

PMC TECH has been implementing the project successfully for the past few years benefitting the students, faculties and other individuals of society. Below is the list of courses offered at this center is:

Courses Offered

- Basic IT Skills Package
- Ascend
- BASH
- Blender
- C and C++
- Advanced C
- Advanced C++
- Firefox
- GChemPaint
- GeoGebra
- Typing Software - KTouch & TuxTyping
- Utility Software/Application - K3B & Thunderbird
- Screen-reading software for the Visually Impaired - Orca
- GIMP
- Inkscape
- Java and Netbeans
- Java Business Application
- Jmol Application
- KTurtle
- LaTeX&XFig
- LibreOffice Suite
- Linux & Ubuntu
- BOSS Linux
- OpenFOAM
- OScad- now eSIM
- Perl
- PHP & MySQL
- Python
- QCAD
- Scilab
- Ruby
- Joomla
- Bio-Python

No. of Students Certified from Spoken Tutorials Centre – FOSS (IIT – Bombay)	
Learner's Certificate	322 Students
Completion Certificate	181 Students

NPTEL (National Programme on Technology Enhanced Learning) is a joint initiative of the IITs and IISc. Through this initiative, they offer online courses and certification in various topics in various engineering disciplines. Around 120 Students from various department had attended the courses for certification during this academic year.

List of programmes

S.No	Department	Name of the Course
1.	Computer Science & Engineering	Artificial Intelligence Computer Graphics Cryptography and Network Security Design and Analysis of Algorithms Introduction to Problem Solving and Programming Introduction to Automata, Languages and Computation Natural Language Processing
2.	Electronics & Communication Engineering	Digital Image Processing Low Power VLSI Circuits & Systems Advanced 3G and 4G Wireless Mobile Communications Advanced VLSI Design Digital Voice & Picture Communication Satellite Communication Systems
3.	Electrical & Electronics Engineering	Computer Aided Power System Analysis Control Engineering Energy Resources & Technology High Voltage DC Transmission Industrial Automation and Control Applied Optimization for Wireless, Machine Learning, Big Data Information Theory, Coding and Cryptography Medical Image Analysis LDPC and Polar Codes in 5G Standard
4.	Mechanical Engineering	CAD for VLSI Design Advanced Finite Elements Analysis Advanced Engineering Thermodynamics Advanced Strength of Materials Convective Heat and Mass Transfer Fluid Mechanics Gas Dynamics and Propulsion Industrial Engineering Manufacturing Processes Computer numerical control (CNC) of machine tools and processes Advances in welding and joining technologies

Eyantra Sponsored by MHRD under the National Mission on Education through ICT program.

An initiative by IIT Bombay that aims to create the next generation of embedded systems engineers with a practical outlook to help provide practical solutions to some of the real world problems.

E-YANTRA ROBOTICS LAB

E-Yantra Lab supports infrastructure creation at colleges by providing a platform in Project Based Learning or “Learning by Doing”. We train students in theory and applications of Embedded systems and Robotics, in addition to providing guidance in setting up an Embedded Systems.

The main benefit of engaging with e-Yantra is to empower teachers and students and to create a culture of innovation and entrepreneurship in a college through e-Yantra initiatives. We not only help set up infrastructure and provide training but also through our considerable network identify resources in industry

More specific are the following outcomes:

- Better Final year projects in the area of Embedded Systems and Robotics.
- Access to a vast resource of open source projects and tutorials
- Sustainability of the established lab through participation in the e-Yantra Ideas Competition (eYIC)
- An opportunity to setup an agriculture based IoT-testbed through the e-Yantra Farm Setup Initiative (eFSI).
- To gain visibility and attract local industries for internships and placements.



Students Developing project at Robotics Lab

Campus Connect Programme Centre launched by Infosys Technologies, Bengaluru @ PMC TECH in 2012. Campus Connect Programme is a unique Academia-Industry Initiative to **“Architect the Education Experience”**.

Goal

To build a sustainable partnership with Engineering Education Institutions in India and abroad for mutual benefit; producing **“Industry Ready”** recruits.

Foundation Program 5.0 (FP) Roll-out

Foundation Program courseware provides a unique set of teaching aids and consolidated training material from Infosys shares with college to enable and make students Industry Ready.

FP 5.0 offers a set of 5 focus area covers essential generic topics:

Modules

- Programming Fundamentals
- Database Fundamentals
- Python Database Integration
- Object Oriented Programming using Python
- Advanced Database Concepts

Statistics of Foundation Program 5.0 - Roll out @ PMC TECH				
Year	No. of Batches	Students Enrolled	Certified by Infosys	Percentage
2018	5	322	292	90.68
2017	5	308	274	88.9
2016	5	240	232	96.6
2015	9	570	533	93.5
2014	7	365	325	89.0
2013	4	214	205	95.7
2012	1	58	57	98.2

Infosys Launches InfyTQ – A Learning App for Engineering Students

InfyTQ, by Infosys, is a next-generation digital platform to offer the best learning and engagement experiences for engineering students in India. InfyTQ (Talent Quotient) is a free platform open to all engineering students in their third and fourth year across India. The platform encourages holistic development by imparting technical as well as professional skills and help them become industry ready.

E - courses offered by INFYTQ @ PMC TECH are:

- Python Programming
- Introduction to Problem Solving and Programming
- Artificial Intelligence
- Compiler Design
- Computer Algorithms
- Computer Networks
- Data Structures and Program Methodology
- Database Design
- Design and Analysis of Algorithms
- Digital Image Processing
- Natural Language Processing
- Big Data Computing
- Cloud Computing and Distributed Systems
- Data Mining & Deep Learning
- Data Science for Engineers
- Introduction to Human Computer Interaction
- Machine Learning for Engineering and Science Applications

ICT ACADEMY

PMCTECH has been in tie up with ICT Academy since 2010-11 for Empowerment of Students as Industry ready and Faculty members equipping for ensuing generations. ICT Academy is an initiative of the Government of India in collaboration with the state Governments and Industries. With training of teachers and students as the primary objective, ICT Academy has been working through a seven pillar program in the areas of Faculty Development, Student Skill Development, Entrepreneurship Development, Youth Empowerment, Industry-Institute Interaction, Digital Empowerment and Research & Publications.

Programmes Organized

STUDENTS CHAPTER

SKILL SAATHI - Three Days Career Counseling Program organized through ICT Academy towards a Bright Future held on 26th to 28th February 2019 by Mr. N. Balamurali, Senior Executive Operation, CT Academy & Mr. VishnuPrasad, Senior Executive Operation, ICT Academy for First Year Students of BE/B.TECH.

Future Entrepreneurs - Webinar Program organized through Million Minds for Prefinal & Final year students held on 06th February 2019 by Mr. Bhupendra Kunwar Co-founder & CEO of FOX PANDA, SYMB Technologies, Mumbai.

Vetri Nichayam - Success in Your Hand - One day Grooming and Personality Development Programme organized in association with The Hindu Group & Gillette India Limited for Prefinal & Final year students held on 05th February 2019 by Mr. Martin Robert, Country Marketing Manager, Gillette India Limited.

FACULTY CHAPTER

Skill Tester Certification Assessment - 30 Faculty Members Participated in ICT Academy Skill Tester Certification Assessment on 11th July 2018 in various topics such as C, C++ and JAVA.

Introduction to Autodesk Fusion 360 - one day Faculty Development Programme (FDP) organized by Mr. A. Prasanth, Technical Trainer, ICT ACADEMY of Tamilnadu for the faculty of Mechanical Engineering held on 14th & 15th December 2018.

33rd Edition of ICT Academy Bridge 2018 - Bangalore (Largest Industry Institute Interaction Event of Asia) held on 26th September 2018. It is a wonderful opportunity for the faculty members to learn updated about current industry needs and it helps to share their thoughts and ideas and the ways for preparing academic campuses to deliver high value industry relevant output. It provides a platform for faculty members to be aware of industry expectations of skill sets required for students.



Industry Institute Interaction Event

TNSDC - Advanced IT & ITES Training Programme @ PMC TECH

Er. Perumal Manimekalai College of Engineering Conducted 23 days Training Program on Advanced IT & ITES for selected 50 students from the departments (CSE, IT & MCA), jointly organized by ICTACT and Tamilnadu Skill Development Corporation (TNSDC) on 23rdJan 2019 to 12thMarch 2019. The Resource persons from ICTACT were Mr. K.A. Vijayan, Deputy General Manager – Projects. Soft Skill Training by Ms. K. A. Bhargavee, Senior Soft Skill Trainer, ICT Academy.



Training Program on Advanced IT & ITES

IIT - BOMBAY - AAKASH PROJECT CENTRE @ PMC TECH

PMC TECH is a R&D partner with IIT Bombay as “**Aakash Project Centre**” to develop new educational applications on Aakash Tablet and effective ICT tool for students and teachers, which has funded through National Mission on Education through ICT (NMEICT) supported by MHRD, Government of India. 300 Tablets are used for Various applications development activities involved our students in this centre are:

- Web App Development
- Content Development / e-Book Development
- Interactive Applications for e-Learning
- Embedded Applications
- Applications for Programming
- Game Based e-Learning Applications
- Smart Books
- Quiz Apps, e-Assessment Tools
- Learning Apps for Kids
- GPS Location Information
- RSS Feed - Third year students of EEE

PRADHAN MANTRI KAUSHAL VIKAS YOJNA (PMKVY)

Promoted in 2017



PMC TECH - PMKVY Skill Certification Scheme with NSQF levels, enable an Indian youth to take up customized Industry-relevant Skill Training Programmes that will help them in securing a better livelihood.

Courses Offered

- Plumbing
- Welding (MIG/MAG/GMAW)
- CNC Operator Turning
- CNC Operator VMC
- CNC Operator Machining Technician L3

GRADUATION DAY

Our Institution has conducted **13th Graduation Day** on 07th of September 2018. The occasion was presided by **Mr. D. UmaMaheswar**, Executive, Chief Consulting Engineer GE Aviation - India, John F - WELCH Technology Center and distributed Degree Certificates to the successful **483 Students** comprising UG/PG of 2016-17, all passed out in **First Class and 09 holding University Rank**.



Mr. D. UmaMaheswar,

Executive, Chief Consulting Engineer GE Aviation - India, John F - WELCH Technology Center
Delivered the Graduation Day address and conferred Degrees to the Students.

TECH EXPO - 2019 @ PMC TECH

PMC TECH has been organizing TECH EXPO exhibition every year showcasing the creative and innovative projects of its students designed and developed in the areas of Engineering and Technology. The current year TECH EXPO - 2019, a fair of 2 days event from 25th and 26th February 2019.

“Highlighting of TECH EXPO - 2019”

- 532 top notch project presentations by our students and 110 from other surrounding institutions.
- The exhibition has witnessed gathering of about 11000 students from Government & Private Schools and College students.



Addressing the Occasion

Mr. B.Gangathara Rao
General Manager,
IIGM Pvt. Ltd.,

TECH EXPO - 2019 Prize Winners

Title of the Project	Name of the Students	Prize Winners
Aeronautical Engineering		
Magnetic Piston Engine	K. Ragupathy & S. Suryakanth, Second Year – AERO	I
Ornithopter	Blessy Evangelin & R. Sushma, Second Year – AERO	II
Pressure distribution in Convergent Nozzle	S. Karthik, L. Lokesh & M. Sathish, Third Year - AERO	III

Civil Engineering		
Beam and Column	A. K. Santhoshkumar, S. Prabhakar, K. S. Bharathi, N. Bharath, K. Sheikeleyas & S. Sathyamoorthi, Third Year – Civil	I
Earthquake Resistant Building	C. Vignesh, R. Yuvaraj, T. Vishwa, M. Ganeshan & V. Karthick, Second Year – Civil	II
Counterfort Retaining Wall	E. Krishnamoorthi, M. Muniyappan, R. Moorthi, C. Nandheesh, Third Year – Civil	III
Computer Science & Engineering		
Chat Bot	Vishal Sharma, D. Silamabarasu, M. Murali & R. Vijaykanth, Third Year - CSE	I
Smart Notice Board	S. Dinesh, S. Syed Azham, V. Madhu & A. Adithyakumar, Third Year – CSE	II
Image Stegnography	A. Bhavani, S. Aarthi & C. Lavanya, Third Year - CSE	III
Modern Security System	T. Thajunisha, & Ann Benny Croft Shiny, Third Year - CSE	III
Electronics & Communication Engineering		
Smart Dustbin	R. Sivaraman, K. Manoj Kumar, L. Gupta, S. Mohammed Yusuf, M. Santhosh, Second Year – ECE	I
Highway Hypnosis Detector	M. Harikrishnan, A. Vinoth Kumar, S. Adarsh, C. Hari Prasath, Second Year – ECE	II
FPV Rover	M. Murali, R. Seshuraj, C. Subash, U. Thilak, Second Year – ECE	III

Information Technology		
Transfer of Energy using Marine Water	T. Venugopal, S. Ranjithkumar, S. Yashvanth Kumar & V. Surya, Second Year - IT	I
Wireless Home Security System using SMS	D. Esai Kumar, C. Eswar Raj, C. Mallikarjun & V. Kiran, Second Year - IT	II
Smart Floor Cleaning	M. Raghu, R. Sridhar, C. Ranjith Kumar & M. Mano, Third Year – IT	III
Mechatronics Engineering		
Drainage Cleaning Robot	N. Mahesh, S. Parthiban, M. Adhilatchudan, B. Ajaysurya & K. Shantosh, Second Year - MCO	I
Agriculture Robot	M. Rajendran, T. Yalanshri & Y. Kiran, Third Year – MCO	II
Voice Control Wheel Chair	N. Mohankumar, P. Nagaraj, M. Balaji & S. Janarathanan, Second Year – MCO	III
Mechanical Engineering		
Ground Nut Separator	M. Arun Kumar, R. Balaji & K. Murali, Third Year – MECH 'A'	I
Steering Controlled Head Light	R. Ushakiran, M. Sathish, R. Sathish & N. Murugesan, Third Year – MECH 'B'	I
Barrel Pump Sprayer	Y. Hariharan, P. Arun, G. Gunasekar & G. Manikandan, Third Year – MECH 'A'	II
Electrical Floor Cleaning Machine	M. Jagadesh, P. Kishore, B. Karthik & S. Kalaiselvan, Third Year – MECH 'B'	II
Emergency Breaking System	G. Suresh, R. Saifullah, S. Venkatesan & A. Nagaraj, Third Year – MECH 'A'	II
Sensor Based Driverless Car	K. Promod, Anil Battachava, R. Baskar & A. Mohamed Yosuf, Second Year – MECH	III
Automatic Train Safety System	M. Surya, M. Sreenivasan, M. Suresh & R. Pradeep, Third Year – MECH 'A'	III

Science & Humanities		
Metal Melter	R.Prasanth, A. Akileshkumar, J. Rithesh, C. Suresh, K. Bharathkumar & P. Sakthivel, First Year - MECH	I
Irrigation System by Modern Technique	N. Monisha, M. Priyadarshini, S. Vaishali & M. Geetha, First Year - CSE	II
Blind Stick	N. Naveen Kumar, A. Lokesh Kumar, KPM. Vikram & S.Dhilipkumar, First Year - MECH	II
Pythagoras Theorem	S. Manikandan, R. John, Anish Basha & U. Naveen, First Year - ECE	III
Glue Gun	K. Shanmuga Priya, R. Aruna, N. Keerthi & K. Kavitha, First Year - ECE	III

Master of Computer Applications		
Website Development	P. BalaKrishnan, Third Year – MCA	I
Automatic Smoke Detection and Collision Control System	A. Aravindhan, D. HariKrishnan & R. Ranjith Kumar, Second Year – MCA	II
Smart Agriculture	L. Umarani, R. Sindhu & M. Chaya, Second Year - MCA	III



Students Showcase their projects @ TECH EXPO 2019

CORPORATE CONNECT 2018

PMC TECH Organises corporate connect - 2018 in association with ICT Academy of Tamil Nadu and NHRD Hosur Chapter held at 24th & 25th August 2018.

An PMC TECH Initiative

To bridge the gap between Academia and Industry by offering customized Industrial training to students in order to enhance their employability skills and make them Industry ready.

Objective:

- To identify the Industrial needs.
- To offer specific trainings based on the Industry inputs with continual monitoring by Industry and Institution.
- To conduct periodical assessments and issue competency certificate jointly.

Domain Expertise Speakers at Corporate Connect 2018

FANUC
ROBOTICS



Mr. Manjunath. H.S
Head - FA Sales
FANUC India Pvt Ltd.

DELL



Mr. Tandava V Krishna Popuri
Director, Software Engineering,
Firmware Group at Dell EMC India R&D

Motivational Speaker



Mr. Charles Godwin
HR Business Leader

TATA
CONSULTANCY SERVICES



Mr. Srinath Gaykwad. V
Regional Manager (South)

Mylan



Mr. S. Mohanraj
Senior Director - HR

TAB INDIA



Mr. V. Nagarajan
General Manager - HR

ASHOK LEYLAND



Mr. S. Ravichandran
AGM - HR

TITAN
COMPANY



Mr. Neelavannan
HR - Manager

SOBHA DEVELOPERS



Mr. Narasimhan
Sr. General Manager - HR

Capgemini



Mr. Seetharaman
Senior Consultant

Chetnaid



Mr. B. Suresh
Technical Head (All India)

Falvey



Mr. A. Somasundaram
Training Manager

ASHOK LEYLAND



Mr. V.R. Balasubramanian
Deputy Manager - HR

Arghaa



Dr. Rajan Babu
CEO & Director

Appville Softwares



Mr. Balachandran
Co-Founder

FSS



Mr. Bharathan Parahalad
HR Manager

Allison



Mr. Vignesh Kannappan
Deputy Manager & HR

Ambuja Cement



Mrs. Sapna Devendra
Regional Manager (South)

Visteon



Mr. J. Justin
Lead - HR

AT&T



Mr. M. Gurusubramanian
HR - Manager

Fowler westrup



Mr. Gyana Ranjan Mallik
Team Leader R&D

VOLVO



Mrs. Sreya Raghavan
HR - Manager

ALLSOL TECHNOLOGIES



Mr. Gregory Manoj
HR - Manager

ASHOK LEYLAND



Mr. Bhabani Sankar Panigrahi
Sr. Manager-Engine (R&D)

Fowler westrup



Mr. P. Moorthy
Sr. General Manager - HR

virtusa POLARIS



Mr. M. Bharath
HR - Manager

Ranganayaki Papers (P) Ltd.



Mr. Subramaniam
Manager

CORPORATE CONNECT 2018



CORPORATE CONNECT 2018

CELEBRATIONS

Independence Day Celebration

PMC TECH celebrated the Independence Day on 15th August 2018 to re-experience the spirit of patriotism and to honour the glorious past of our country. The national flag hoisted by The chairman and he highlighted the importance of this day and urged the students to become responsible citizens and prepare themselves to serve the nation.

Republic Day Celebration

The **65th Republic Day** was celebrated in all its solemnity and grandeur at PMC TECH on 26th January 2018. The students saluted the National Flag and pledged themselves to upholding the honour and integrity, diversity and uniqueness that is “India”. The Honorable Chairman addressed the students and urged them to do their best and feel proud to be Indians. The students dispersed after sweets with the image of the fluttering tricolor in their minds.

CELEBRATIONS

Engineers Day Celebration

PMC TECH on 15th September 2018 celebrated the birthday of the legendary Engineer Sir M. Visvesvaraya (1861-1962) as Engineer's Day to commemorate his internationally recognized genius harnessing water resources. On this juncture, conducted many events like Elocution, Essay, Poster Presentation, Painting Competition. Our Honorable Chairman, PMC TECH group of Institutions graced the function.



Women's Day Celebration

International Women's Day represents an opportunity to celebrate the fame and pride of women while calling for greater equality. PMCTECH celebrated International Women's Day on 08th March 2019, As the encouragement and recognition of women's community, Several events were conducted students participated in all the events enthusiastically.

Annual Day Celebration

The Annual Day Celebrations of Er.Perumal Manimekalai College of Engineering was held on 07th & 08th March 2019. The Chief Guest for the celebrations was **Mr. Britto K**, Deputy General Manager, HR, Delta Electronics India P Ltd, Hosur & **Mr. Arunkumar .S**, Sr. Manager - HR & Admin, Gabriel India Limited, Hosur.

The Celebrity of the occasions are **Mr. Arun Vijay**, Film Actor & Sports of Skydive and **Ms. Priya Bhavani Shankar**, Film Actress & News Presenter (Former Employee - Infosys Technologies)



CELEBRATIONS



Annual Day Celebration

ALUMNI MEET - 2019

PMC TECH has organised the Alumni Meet on 12th May, 2019 in Open Air Theatre, PMC TECH Campus. The Chief Guests are Kalaimaamani, Marabin Maindhan M. Muthaiah, Chief Editor - Namadhu Nambikai Magazine & Mr. Karthi Eswaramoorthy, Co-founder & President Ticketgoose.com



FACULTY PUBLICATIONS

S. No.	Name of the Faculty	Title of the Paper	Publication Name
1	Dr. S. Chitra, Principal	Quality Measurement Model for Micro Level Ranking of IT and Bio Cloud Services	Research Journal of Biotechnology, ISSN: 0973-6263, vol. (Special Issue II) August (2018), pp. 26-28. IF 0.28.
		An heuristic Approach for workflow scheduling in Bioinformatics Cloud	Research Journal of Biotechnology, ISSN:0973-6263, vol. (Special Issue II) December (2018), pp. 107-114. IF 0.28
2	Prof. R. Karthikeyan, HOD / Aeronautical Engineering	Synthesis and Analysis of poly aniline Coated Natural / synthetic fibre composite for gas sensor application	International Journal of applied engineering research ISSN 0973-4562 Volume 13, Number 1(2018) pp.149-156.
3	Dr. V. Vijayakumari, HOD / Electronics & Communication Engineering	Integrated Fine and Coarse Grain Clock Controller	International Journal of Research in Advent Technology (IJRAT), Impact Factor: 5.153, Volume 5, Issue 2, February 2019.
		Air Pollution Monitoring Using WSN in Cement Factory	Journal of Computational and Theoretical Nanoscience, ISSN: 1546-1955, Special Issue on INTELINC'2018
		Clock node capacity minimization using lookup table based controller for ultrasound and medical imaging processor	Cluster Computing The Journal of Networks, Software Tools and Applications ISSN: 1386-7857, Volume 18, Issue 3, 2018
4	Prof. G. Shasikala, HOD / Electrical & Electronics Engineering	A Joint Optimal Algorithm Design for Envi-Economic Power Generation by Using Communicative Smart Grids	International Journal of Research in Computer Science and Electronics Technology , e-ISSN:2278-5795, Volume 10, Issue 3, 2018
5	Dr. P. Rajasekaran, HOD / Mechanical Engineering	An investigation of Performance analysis with Tooth profile modification of spur gear using ANSYS	International Journal Research and Innovation in Engineering Technology , Vol 5, No 09 (2019).
6	Prof. A. Mahesh, HOD / Information Technology	A Deep Belief Network (DBN) for Classifying IoT Data	Revista De La Faculadated Agronomia De La Universidad Del Zulia, 34:281-290, ISSN: 2477-9407
		An Efficient Data Processing Architecture for Smart Environments Using Large Scale Machine Learning	Institute of Integrative Omics and Applied Biotechnology (IIOAB) , IIOABJ Vol. 7 9 795-803, ISSN: 0976-3104
		CNC Based Multifunction Plotter	International Research Journal of Engineering & Technology, Volume 6, Issue 3, March 2019

FACULTY PUBLICATIONS

7	Dr. M. Inbavalli, Head/ Co-Curricular	Big Data – The Next Frontier for Innovation, Competition and Productivity	IOSR Journal of Engineering (IOSRJEN) ISSN (e): 2250-3021, ISSN (p): 2278-8719 PP 14-19
		Emerging Future Technologies of Artificial Intelligence in Current World	IOSR Journal of Engineering (IOSRJEN) ISSN (e): 2250-3021, ISSN (p): 2278-8719 PP 42 - 46
		Network Security and Types of Attacks in Network Security	IOSR Journal of Engineering (IOSRJEN) ISSN (e): 2250-3021, ISSN (p): 2278-8719 PP 58 - 63
8	Mrs. M. Angelin Rosy, HOD / MCA	A Study about Security Essentials on Biometrics Authentication and identification	IOSR Journal of Engineering (IOSRJEN) ISSN (e): 2250-3021, ISSN (p): 2278-8719 PP 01-05
		Future Supervision on Augmented Reality	IOSR Journal of Engineering (IOSRJEN) ISSN (e): 2250-3021, ISSN (p): 2278-8719 PP 50 – 54
9	Dr. M. Suresh, Associate Professor / Physics	Structural, optical, thermal, dielectric and mechanical studies of a new organic NLO material: L-isoleucinium-p-toluenesulfonate monohydrate (LIPT)	Materials Science – Poland, DOI: 10.2478/msp-2019-0021, ISSN 2083-1331, August 2019.
		Engineering Physics	Wakeup Publishers, Chennai, August 2018
		Material Science	Wakeup Publishers, Chennai, February 2019
10	Mr. R. Jini Raj, Assistant Professor / Aeronautical Engineering	CFD analysis of flow characteristics of NACA0012 Airfoil Using SU2	Journal of Mechanical and Aeronautical Engineering Research ISSN: 2456-8368; Volume 1, Issue 3, March 2019
		Passive Morphing Wing for High Performance Airplane Applications	National Conference on Academic and Industrial Research in Mechanical and Aeronautical Engineering @Society of Aeronautical Engineers, January 2019
		Variable Camber Morphing Wing for High Performance Airplane Applications	International Conference On Recent Trends in Engineering and Technology” @ Cochin University of Science and Technology – India, October 2018
11	Mr. Ajin Branesh, Assistant Professor / Aeronautical Engineering	A CFD Analysis of Flow over an airfoil using dimples	Journal of Mechanical and Aeronautical Engineering Research, ISSN: 2456-8368, pp. 788 - 791 January 2019.
12	Mr. R. Ramesh, Assistant Professor / Aeronautical Engineering	Analysis of Blade Design Horizontal Axis Wind Turbine	International Journal of Research and Innovation in Engineering Technology ISSN: 2394 – 4854. Impact Factor: 2.219, pp.237 – 243, March 2019

FACULTY PUBLICATIONS

13	Mrs. S. Rameshwari, Assistant Professor / Civil Engineering	Experimental Investigation on Ferrocement Composite slab using Flyash & Egg shell	International Journal of Science & Engineering Development Research in IJSDR, Vol.3, issue 10, October 2018, ISSN 2455-2631.
14	Mrs. N. Shunmuga Karpagam, Assistant Professor / Computer Science & Engineering	Automated Diagnosis System for Alzheimer Disease using Features selected by Artificial Bee Colony	Journal of Computational and Theoretical Nanoscience, Volume 16, Number 2, February 2019, pp. 682- 686(5)
		Optimized Feature selection based on Artificial Bee Colony for diagnosing Alzheimer Disease	Journal of Advanced Research in Dynamical and Control Systems 10(13):1913-1921 · November 2018
		Utilization of Homomorphic token with distributed verification for ensuring cloud data security	International Journal of Research in Computer Science and Electronics Technology, e-ISSN:2278-5795, Volume 10, Issue 3, 2019
15	Mr. E. Veera Boopathy, Assistant Professor / Electronics & Communication Engineering	Design and Analysis of IT DRAM architectures using Ambipolar MISFETs	Springer Series in Advanced Microelectronics, ISSN: 1437-0387, March 2019
		FPGA realization of high-efficient address generator algorithm for WiMAX Deinterleaver	Springer Series in Advanced Microelectronics, ISSN: 1437-0387, November 2018
		Realization of high speed low power MCC adder using dynamic CMOS transistors	IEEE Explore - IEEE International Conference on Electronic Communication and Aerospace Technology, November 2018
16	Ms. S. Vidhya, Assistant Professor / Electronics & Communication Engineering	Human Following Intelligent Cart	International Journal of Electrical, Electronics and Data Communication (IJEEDC), ISSN :2321-2950, Volume- 7, Issue-3, August 2018
		Genuine Stage Detection of Brain Tumor Segmentation in MRI imaged using Neural Images	IEEE Explore - IEEE International Conference on Electronic Communication and Aerospace Technology, November 2018
17	Mr. S. Devaraj, Assistant Professor / Electrical & Electronics Engineering	An Intelligent Design Structure of Process Controlling of Electrical System using Li-Fi Network	International Journal of Research in Computer Science and Electronics Technology, e-ISSN:2278-5795, Volume 10, Issue 3, 2018
18	Ms. L. Maheswari, Assistant Professor / Electrical & Electronics Engineering	A Cost Effective Prototype Design for Power Factor Enhancement in Transmission Line Using UPFC	International Journal of Research in Computer Science and Electronics Technology, e-ISSN:2278-5795, Volume 10, Issue 3, 2018

FACULTY PUBLICATIONS

19	Mrs. S. Meenakumari, Assistant Professor / Electrical & Electronics Engineering	An Emergency Power Shutdown Managements System in Industrial Plant Process Areas During Precarious Periods	International Journal of Research in Computer Science and Electronics Technology, e -ISSN:2278-5795, Volume 10, Issue 3, 2018
		Modeling and Implementation of New Maximum Power Point Tracking Technique for Partially Shaded PV Systems using Hybrid DEPSO Method	International Journal of Research in Computer Science and Electronics Technology, e -ISSN:2278-5795, Volume 10, Issue 3, 2018
20	Mr. R. Vinoth, Assistant Professor / Electrical & Electronics Engineering	Resource Availability Based Assortment of Generating Micro Grid Power Using On Time Resource Priority (OTRP) Algorithm	International Journal of Research in Computer Science and Electronics Technology, e -ISSN:2278-5795, Volume 10, Issue 3, 2018
21	Mr. C. Sathish, Assistant Professor / IT	IOS Security System Using Face Detection System	ICRAECC - 2019 IEEE International Conference on Recent Advances in Energy-efficient Computing and Communication, March 2019
		Assessment keys for disease of Mango and New intelligent management strategy for Organic plantation	TEQIP – Sponsored National Conference on Emerging Trends in Advanced Computing and Communication, January 2019
22	Mrs. M. Manjurekha, Assistant Professor / IT	Multi source information broadcast networks using learning algorithm	International Journal of Scientific Research in Computer Science and Engineering, ISSN : 2456-3307, Impact Factor = 4.032, April 2018
		Fire detection and notification system in real time	International Journal of Scientific Research in Computer Science and Engineering, ISSN : 2456-3307, Impact Factor = 4.032, April 2018
23	Mr. R Balaji & Mr. P. Munusamy, Assistant Professor's / Mechanical Engineering	Experimental study of Mechanical properties and Drilling properties of E-Glass Fiber composite Materials	International Journal for Engineering Research and Application, ISSN : 2248- 9622, DOI: 10.9790, January 2019
		Analysis of Sand Mould using industrial powder And Fly Ash	International Journal for Engineering Research and Application, ISSN : 2248- 9622, DOI: 10.9790, September 2018
24	Mr. S. Thimmarayan, Assistant Professor / Mechanical Engineering	Modeling and Analysis AO Multipurpose Sowing Machine	International Journal for Engineering Research and Application, ISSN : 2248- 9622, DOI: 10.9790, January 2019
25	Mr. K. Ranjith Kumar, Assistant Professor / Mechanical Engineering	Experimental Investigation of coating Analysis on Piston	International Journal for Engineering Research and Application, ISSN : 2248- 9622, DOI: 10.9790, January 2019
26	Mrs. M. Dukitha, Assistant Professor / MCA	An Expository Investigation on Cloud Computing	IOSR Journal of Engineering (IOSRJEN) ISSN (e): 2250-3021, ISSN (p): 2278- 8719 PP 06-09

FACULTY PUBLICATIONS

27	Mr. J. A. Raja, Assistant Professor / MBA	A Study on the Factors for Low Literacy Rate among the Tribal Tea Labourers of the Nilgiris District	International Journal of Pure and Applied Mathematics, ISSN 1314-3395, PP. 248 – 256, April 2019
		A Study on the Awareness Level of the Tribal Tea Labourers and the Factors For Deployment and Mobilisation from the Current Workplace in the Nilgiris District	International Journal of Pure and Applied Mathematics, ISSN 1314-3395, PP. 362 – 268, November 2018

FACULTY PARTICIPATIONS

S. No.	Name of the Faculty	Title of the Event	Organization	Date
1	Mr. S. Edward George, Assistant Professor/ Aeronautical Engineering	Resource person for Workshop on " Military Helicopter dynamics and Design"	Global Incubation Centre - Bengaluru	08 th April 2018
2	Mr. R. Ramesh & Mr. B. Perumal Assistant Professor's/ Aeronautical Engineering	33 rd Edition of ICT Academy Bridge 2018, Bengaluru (Largest Industry Institute Interaction Event of Asia)	ICT Academy of Tamilnadu	26 th September 2018
3	Mr. B. Perumal & Mrs. K. Kokila, Assistant Professor's/ Civil Engineering	Workshop on Mechanics of Materials	Bannari Amman Institute of Technology, Sathyamangalam	10 th to 16 th December 2018
4	Mrs. R. Vijayashanthi & Mrs. P. Deepika, Assistant Professor's/ Computer Science Engineering	33 rd Edition of ICT Academy Bridge 2018, Bengaluru (Largest Industry Institute Interaction Event of Asia)	ICT Academy of Tamilnadu	26 th September 2018
5	Mr. C. Santhoshkumar, Assistant Professor's/ Computer Science Engineering	Workshop on Artificial Intelligence and Deep Learning	Rajalakshmi Engineering College, Chennai	16 th & 17 th February 2019
6	Prof. M. Sahithullah MR / ISO	NPTEL Online Courses – NMEICT, MHRD	IIT- Madras, Chennai	19 th January 2019
7	Mrs. G. Shasikala, HOD/ Electrical & Electronics Engineering	Workshop on IOT Based Control using Arduino & Application of PSO in control of Multilevel Inverters	Mina Institute of Engineering Technology for Women, Telangana	14 th to 16 th February 2019

FACULTY PARTICIPATIONS

8	Mr. S. Devaraj Assistant Professor / Electrical & Electronics Engineering	33 rd Edition of ICT Academy Bridge 2018, Bengaluru (Largest Industry Institute Interaction Event of Asia)	ICT Academy of Tamilnadu	26 th September 2018
		Workshop on IOT Based Control using Arduino & Application of PSO in control of Multilevel Inverters	Mina Institute of Engineering Technology for Women, Telangana	14 th to 16 th February 2019
9	Mr. A. Rajapandiyam, Assistant Professor / Electrical & Electronics Engineering	Anveshana Science Fair	Agasthiya International Foundation, Hyderabad	29 th to 31 st January 2019
10	Dr. P. Rajasekaran , HOD/Mechanical Engineering	AICTE Sponsored Orientation Programme	Panimalar Engineering College, Chennai	17 th October 2018
		Workshop for NBA Initiatives	Anna University, Chennai	04 th August 2018
11	Dr. P. Rajasekaran , Mr. S. Senthil Kumar & Mr. K. Udhaya Kumar, Assistant Professor's / Mechanical Engineering	Visionary Learning Community of India	Harita Seatings System Private Limited	16 th and 18 th July 2018
12	Mr. M. P. Mohanraj & Mr. C. Velmurugan , Assistant Professor's / Mechanical Engineering	Workshop on Mechanics of Materials	Bannariyamman Institute of Technology , Sathyamangalam	10 th to 16 th December 2018
13	Mr. R. Balaji, Mr. K. Udhaya kumar & Mr. M. Muniraj, Assistant Professor's / Mechanical Engineering	Quality Circle Forum of India hosted 5s	TVS Motors Limited, Hosur	07 th October 2018
14	Dr. SP. Prabhakaran, Associate Professor / Physics	AICTE Sponsored Students Induction Programme	Panimalar Engineering College, Chennai	17 th October 2018
15	Dr. M. Inbavalli, Assistant Professor & Head / Cocurricular Mrs. M. Angelin Rosy, HOD / MCA, Mrs. M. Dukitha, AP/MCA	Reference Management & Knowledge Organization for Journal Writing	Aalim Muhammed Salegh College of Engineering, Avadi, Chennai	07 th to 11 th January 2019
16	Mr. R. Rajesh & Mr. S. Bharathidasan, Assistant Professor's / MBA	33 rd Edition of ICT Academy Bridge 2018, Bengaluru (Largest Industry Institute Interaction Event of Asia)	ICT Academy of Tamilnadu	26 th September 2018

STUDENTS PUBLICATION

S. No.	Name of the Faculty	Title of the Paper	Publication Name
1	S. Poovizhi, M.E – Second Year CSE	Utilization of Homomorphic token with distributed verification for ensuring cloud data security	International Journal of Research in Computer Science and Electronics Technology, e -ISSN:2278-5795, Volume 10, Issue 3, 2019
2	G. Saravanan, A. Srihari, R. Manikandan & R. Maheswarn, Final Year - IT	CNC Based Multifunction Plotter	International Research Journal of Engineering & Technology, Volume 6, Issue 3, March 2019
3	C. Anuradha, Final Year – EEE	An Intelligent Design Structure of Process Controlling of Electrical System using Li-Fi Network	International Journal of Research in Computer Science and Electronics Technology, e -ISSN:2278-5795, Volume 10, Issue 3, 2019
4	B. Anbumozhi, Final Year – EEE	A Cost Effective Prototype Design for Power Factor Enhancement in Transmission Line Using UPFC	International Journal of Research in Computer Science and Electronics Technology, e -ISSN:2278-5795, Volume 10, Issue 3, 2019
5	R. Nagananda, Final Year – EEE	An Emergency Power Shutdown Managements System in Industrial Plant Process Areas During Precarious Periods	International Journal of Research in Computer Science and Electronics Technology, e -ISSN:2278-5795, Volume 10, Issue 3, 2019
6	M. P. Pathmavathi , Final Year – EEE	Modelling and Implementation of New Maximum Power Point Tracking Technique for Partially Shaded PV Systems using Hybrid DEPSO Method	International Journal of Research in Computer Science and Electronics Technology, e -ISSN:2278-5795, Volume 10, Issue 3, 2019
7	S. Premkumar, Final Year – EEE	Resource Availability Based Assortment of Generating Micro Grid Power Using On Time Resource Priority (OTRP) Algorithm	International Journal of Research in Computer Science and Electronics Technology, e -ISSN:2278-5795, Volume 10, Issue 3, 2019
8	R. Nagananda, Final Year – EEE	An Emergency Power Shutdown Managements System In Industrial Plant Process Areas During Precarious Periods Using Plcc	Recent Innovations in engineering, technology Management & Applications (RIETMA-2019)
9	C. Rajesh, Final Year - EEE	Flexible Magnetic Resonance coupling and beamforming based wireless motor drives	Recent Innovations in engineering, technology Management & Applications (RIETMA-2019)
10	M. Tamilmani, Final Year – EEE	Finite speed control of dual AC motor drives five Leg voltage source inverter (FLVSI)	Recent Innovations in engineering, technology Management & Applications (RIETMA-2019)
11	B. Anbumozhi Final Year – EEE	A Cost Effective Prototype Design For Power Factor Enhancement In Transmission Line Using Upfc	Emerging Technologies in Electrical systems (ETES 19)
12	K. Soundarya, Final Year – EEE	Wireless charging System for an Electric Vehicle using solar Energy	Innovations in Engineering Technology and science (ICIETS 2019)

STUDENTS PUBLICATION

13	S. Suganthi, Final Year – EEE	Wireless charging System for an Electric Vehicle using solar Energy	Innovations in Engineering Technology and science (ICIETS 2019)
14	A. Sreenithi, Final Year – EEE	Wireless charging System for an Electric Vehicle using solar Energy	Innovations in Engineering Technology and science (ICIETS 2019)
15	S. Sivaselvan, Final Year – EEE	Wireless charging System for an Electric Vehicle using solar Energy	Innovations in Engineering Technology and science (ICIETS 2019)
16	R. Jishnu, Final Year – EEE	Image Detected Electronic Walking Stick for Visually Impaired People	Innovations in Engineering Technology and science (ICIETS 2019)
17	J.Roche Antony Raj, Final Year – EEE	Image Detected Electronic Walking Stick for Visually Impaired People	Innovations in Engineering Technology and science (ICIETS 2019)
18	P. Sakthivel, Final Year – EEE	Image Detected Electronic Walking Stick for Visually Impaired People	Innovations in Engineering Technology and science (ICIETS 2019)
19	D. Vinothkumar, Final Year – EEE	Image Detected Electronic Walking Stick for Visually Impaired People	Innovations in Engineering Technology and science (ICIETS 2019)
20	I. Ashwaq Basha, Final Year – EEE	Accident Prevention Based on climatic condition Using SONAR & IoT For Electrical Vehicle	Innovations in Engineering Technology and science (ICIETS 2019)
21	N. Anandharaj, Final Year – EEE	Accident Prevention Based on climatic condition Using SONAR & IoT For Electrical Vehicle	Innovations in Engineering Technology and science (ICIETS 2019)
22	S. Sathishkumar, Final Year – EEE	Accident Prevention Based on climatic condition Using SONAR & IoT For Electrical Vehicle	Innovations in Engineering Technology and science (ICIETS 2019)
23	N.Naveenkumar, Final Year – EEE	Accident Prevention Based on climatic condition Using SONAR & IoT For Electrical Vehicle	Innovations in Engineering Technology and science (ICIETS 2019)
24	J.Punitha & M. Leka, Final Year - MCA	An Expository Investigation on Cloud Computing	IOSR Journal of Engineering (IOSRJEN) ISSN (e): 2250-3021, ISSN (p): 2278-8719
25	S.Rekha & N. Prameela, Final Year – MCA	Big Data – The Next Frontier for Innovation, Competition and Productivity	IOSR Journal of Engineering (IOSRJEN) ISSN (e): 2250-3021, ISSN (p): 2278-8719
26	PKokila & R.Deepa, Final Year – MCA	Emerging Future Technologies of AI in Current World	IOSR Journal of Engineering (IOSRJEN) ISSN (e): 2250-3021, ISSN (p): 2278-8719
27	S. Nivetha & K. Sangeetha, Final Year – MCA	Future Supervision on Augmented Reality	IOSR Journal of Engineering (IOSRJEN) ISSN (e): 2250-3021, ISSN (p): 2278-8719
28	M.Aruna & K. Gayathri, Final Year – MCA	Network Security and Types of Attacks in Network Security	IOSR Journal of Engineering (IOSRJEN) ISSN (e): 2250-3021, ISSN (p): 2278-8719
29	G. Ajay, Final Year MCA	A Study and Analysis of Effective Data Transmission using UDP	National Conference on Intelligence and Communication Technology – 2019

STUDENTS PUBLICATION

30	A. Aravindhnan, Final Year MCA	A Study of Evolutionary Mobile Operating System and Design	National Conference on Intelligence and Communication Technology – 2019
31	M. Aruna, Final Year MCA	IOS Security System Using Biometric Authentication System	National Conference on Intelligence and Communication Technology - 2019
32	E. Asha, Final Year MCA	Security in Wireless Sensor Network for Attacks and Goals	National Conference on Intelligence and Communication Technology – 2019
33	P. BalaKrishnan , Final Year MCA	The Surveillance of Computer Viruses and It's Security	National Conference on Intelligence and Communication Technology – 2019
34	K. Dilipkumar, Final Year MCA	A Study and Analysis of Access to High Speed Connection in Wireless Technology	National Conference on Intelligence and Communication Technology – 2019
35	V. Kasthuri , Final Year MCA	Analysis and Design of Multi Agent Systems	National Conference on Intelligence and Communication Technology – 2019
36	N. Kavitha, Final Year MCA	Study of Analysis and Wireless Network and Security	National Conference on Intelligence and Communication Technology – 2019
37	P. Kokila, Final Year MCA	The Biggest Cyber Security Challenges on Phone	National Conference on Intelligence and Communication Technology – 2019
38	V. Kumar, Final Year MCA	A New Form of Change in Computer Meemory and Plastic Memory	National Conference on Intelligence and Communication Technology – 2019
39	S. Nivetha, Final Year MCA	Mobile Computing – New Advancement Techniques	National Conference on Intelligence and Communication Technology – 2019
40	J. Punitha, Final Year MCA	Comparitive Study on Software Testing Strategies Common Errors and Bug Report	National Conference on Intelligence and Communication Technology – 2019
41	S. Rekha, Final Year MCA	Recent Application of Biometric Technology	National Conference on Intelligence and Communication Technology – 2019
42	A. Santhiya, Final Year MCA	Exertion of Swarm Robotics of Factual Life	National Conference on Intelligence and Communication Technology – 2019
43	S. Sathiya, Final Year MCA	Wireless Sensor Network for Health Monitoring System Technique and Working Models	National Conference on Intelligence and Communication Technology – 2019
44	N. Savitha, Final Year MCA	Web Mining Techniques for Image Extraction	National Conference on Intelligence and Communication Technology – 2019
45	V. Selvi , Final Year MCA	Zigbee Technology Using for Wireless Sensor Networks	National Conference on Intelligence and Communication Technology – 2019
46	M. Sivaranjini, Final Year MCA	Transmission System Link for Radio Over Fiber and Wide Area Optical Network	National Conference on Intelligence and Communication Technology – 2019

STUDENTS PUBLICATION

47	J. Surya, Final Year MCA	Study and Analysis of Data Secure Storage in Cloud Computing	National Conference on Intelligence and Communication Technology – 2019
48	P. Tamilarasan , Final Year MCA	Peer to Peer Network Based Internet Telephony in India	National Conference on Intelligence and Communication Technology – 2019
49	N. Vishwanath, Final Year MCA	Android Operating System Latest Technology	National Conference on Intelligence and Communication Technology – 2019

STUDENTS PARTICIPATION

S.No.	Name of the Student	Title of the Event	Organization	Date
1	K. Raghupathy, Second Year – AERO	Workshop on Aerodynamics	Sri Ramakrishna Institute of Technology, Coimbatore	21.08.18
2	V. Balaji, R. Parvathaneni, K. Ashok, M. ArunKumar & M. Nabeelullashariff, Third Year - AERO	Workshop on Flight Simulator	Kumaraguru College of Engineering & Technology , Coimbatore	04.02.2019
3	N. Venkatachalam, P. Anbalagan & V. Parthiban, Final Year – Civil	National Level Workshop on Aseismic Design & Legal Advice for Building Construction	Karpagam College of Engineering, Coimbatore	08.09.2018
4	S.K. Sivadarshan, D. Shiva Shanker, V.P. Arunachalam & M. Gunasekaran, Second Year – CSE	Workshop on Rehacker	Sona College of Technology, Salem	21.02.2019
5	K. Thenmozhi & A. Mahalakshmi Third Year – CSE	National Level Technical Symposium CYBERTRON 2k19	P.S.V College of Engineering & Engineering, Krishnagiri	15.02.2019
6	S.K.Sivadarsan, D.Shiva Shankar, V.P.Arunachalam & M.Gunasekaran, Third Year – CSE	A National Level Technical Symposium THREADS' 19	Sona College of Technology, Salem	21.02.2019
7	T.Thajunisha & K.Thenmozhi Second Year – CSE	A National Level Technical Symposium PHANTASM' 19	Government College of Engineering, Bargur	27.09.2018
8	A. Mahalakshmi, Third Year – CSE	A National Level Technical Symposium CYBERTRON 2K19	PSV College of Engineering and Technology, Krishnagiri	15.02.2019
9	Ramya Shree, B. Sekar & S. Swetha, Final Year – ECE	Paper Presentation on Accident Avoidance & Detection on Highways	Adhiyamaan College of Engineering, Hosur	28.09.2018
10	I. Ayisha, Kavya Shree & B. Sekar, Final Year – ECE	Paper Presentation on Development of Software for microcontroller based automated drip irrigation system	Adhiyamaan College of Engineering, Hosur	28.09.2018

STUDENTS PARTICIPATION

11	N. R. S. Archana & S. Ashwini, Third Year - ECE	Paper Presentation on Face Recognition Technology	PSV College of Engineering and Technology, Krishnagiri	07.09.2018
12	S. Bhavya & T. Afshan Taj, Final Year – ECE	Paper Presentation on Human following Cart system	PSV College of Engineering and Technology, Krishnagiri	07.09.2018
13	P. Dinesh Kumar, S. Sathish, V. Prakesh, Final Year – ECE	Guess Logo Technical Quiz Paper Warz	Priyadharshini Engineering College, Vaniyambadi	25.08.2018
14	J. Roche Antony Raj, R. Jishnu, K.Soundarya, A. Sreenithi, S. Hariharan & R. Naveenkumar, Final Year – ECE	Seminar on Evolution of fuel cell Technology in Autonomous Vehicles using IOT	Knowledge Institute of Technology, Salem	27.07.2018
15	I. Ashwaq Basha, N. Naveenkumar & S. Sathishkumar Final Year – EEE	Workshop on Arduino in Robotics	Coimbatore Institute of Technology, Coimbatore.	31.08.2018
16	M.Dhesigan, K.Dhileep, Final Year – EEE	Workshop on Arduino in Robotics	Coimbatore Institute of Technology, Coimbatore.	31.08.2018
17	N. Aravind, M.Chinnagurappa M.Shyam Aravind Third year-EEE	Workshop on Emerging Technologies in instrumentation & Power station	National Power Training Institute, Neyveli.	31.08.2018
18	M.Lavanya Third year-EEE	Paper Presentation on Organic Light Emitting Diode	Sri Sairam College of Engineering, Bangalore	31.08.2018
19	M.Divya S.Deekshitha Second year-EEE	Paper Presentation on Quick charger	Sri Sairam College of Engineering, Bangalore	31.08.2018
20	A.Afzal Second year-EEE	Paper Presentation on Modern Technology	Sri Sairam College of Engineering, Bangalore	31.08.2018
21	Sakthivel Yuvanshankar Second year-Electrical	Paper Presentation on Technology Today	Sri Sairam College of Engineering, Bangalore	31.08.2018
22	N.Naveenkumar R.Ravikumar Final Year -Electrical	Paper Presentation on Luggage Tracking Theft Prevention using IOT	Government College of Engineering, Bargur	27.09.2018
23	G.Swetha A.Sreenithi Final Year -Electrical	Paper Presentation on Smart Garbage Bin	Government College of Engineering, Bargur	27.09.2018
24	B.Arunadevi K.Chitra Final Year -Electrical	Paper Presentation on Wireless Power Transmission for mobile and Wheelchair Charging of Physically Challenged People	Government College of Engineering, Bargur	27.09.2018
25	G.Ashok, N.Parthiban Second year-Electrical	Workshop on Applications of Power electronic Converters in Solar Photo voltaic	Vellore Institute of Technology, Vellore.	28 & 29.08.2018
26	M.Rahila Thaslim E.Ashwini S.Sasi Second year-Electrical	Paper Presentation on Power transform wireless using solar cell	Jayalakshmi Engineering College, Thoppur	19.02.2019

STUDENTS PARTICIPATION

27	K.Murali M.Selvakumar P.Arunpandi Second year-Electrical	Paper Presentation on Space Based Solar Power	Jayalakshmi Engineering College, Thoppur	19.02.2019
28	N.Nivetha S.Keerthana K.Vinitha Third year-Electrical	Paper Presentation on Floating Power Plants	Jayalakshmi Engineering College, Thoppur	19.02.2019
29	M.Rekha K.Vinutha R.Pavithra, EEE	Paper Presentation on Nuclear Battery	Jayalakshmi Engineering College, Thoppur	19.02.2019
30	C. Bhuvaneswari, S.P. Aruna & T.Leenasri, Second Year - IT	SYMPO-FEST 19	Podhigai College of Engineering &Technology,Tirupattur	27.02.2019
31	S.Lokeshkumar, Final Year – IT	Phantasm 19 -Mind Shower	Government College of Engineering,Bargur	20 & 21.02.2019
32	M.Raghu, R.Anil Kumar, S.YaswanthKumar, C.Mallikarjun & S.Santhoshkumar, Second Year - IT	CYBERTRON 2K19 -Paper Presentation	P.S.V College of Engineering &Technology, Krishnagiri	15.02.2019
33	R.Nagarajan, V.Kiran, T. Leenasri, C.Bhuvaneswari, Second Year - IT	CYBERTRON 2K19 -Paper Presentation	P.S.V College of Engineering &Technology, Krishnagiri	15.02.2019
34	S.P.Aruna, T.Leenasri, T.Banupriya, Second Year - IT	Prayukthi 2K19 - Paper Presentation ,Quiz, Debugging	P.S.V College of Engineering &Technology, Krishnagiri	02.02.2019
35	R.Narthana, L.Shantha, S.Runambika & R.Asha, Final Year – IT	CONFLUENCE'19 – Paper Presentation	Government College of Engineering,Bargur	10.01.2019
36	K.R.Yogesh Babu, S.Karthik, S.V.Vijay, S.Naveenkumar, M.Sathyaraj & S.Sridhar, Final Year – IT	Workshop on “Data Analysis using R & Python”	Sri Ramakrishna Engineering College, Coimbatore	07 & 08.09.2018
37	T.Krishnamoorthu, C.Eshwarraj, V.JagadheeshKumar, S,Dhanushkumar & G.D.C.Jeevahari, Second Year - IT	CRYPTO 2K18 – Paper Presentation, Technical Quiz, Wordsworth	Adhiyamaan College of Engineering, Hosur	25 & 26.09.2018
38	G.Vignesh & M.Manojkumar, Third Year - MCO	National Level Symposium	AVS College of Engineering, Salem	10.01.2019
39	G.Vignesh N.Manojkumar R.Naveenkumar, Third Year - MCO	Project expo	Our lady Hr.sec.school, Hosur	22.10.2018
40	A.Mukeshkumar S.Ajaysurya VS.Pradeep M.Adhilachudan, Third Year – MCO	National Level Symposium	Bharathidasan Engineering College, Nattrampalli	15.09.2018
41	G.Vignesh M.Manojkumar, Second Year - MCO	Workshop	Knowledge Institute of Technology, S alem	29.08.2018

STUDENTS PARTICIPATION

42	R. Kannan, Third Year - MECH	National Level Technical Symposium	Karapagam University	18.02.2019
43	Joel Martin Neronha, Karunakaran.G, Jawahar Surya. R, Lokesh.B, Karthik R & Mani.V Third Year - MECH	Hands-on workshop handled by BHARAT BENZ and EICHER.	Government College of Technology, Coimbatore	02.03.2019
44	Kannan.R, Indrajith R, Ashok Kumar.P, Divakar S Aravindan.B & Mahesh.G Final Year - MECH	Employability Skill Enhancement Programme	Sri Eshwar College of Engineering College. Coimbatore	15 to 26.02.2019.
45	Pradeep K, Sathish S, Kulala Sunil C Ramakrishnappa & Mohan Sundaram P	Workshop on Mini Bike Design and Fabrication Techniques	Karpagam College of Engineering	07.09.2018
46	Shilpa, Chaya, Chandana, Umarani.L,Shayamala , Shindu and Hari Krishnan.D, Second Year MCA	Conference on Emerging Trends in Advanced Computing and Communication”	Govt. College of Engineering, Bargur	10.01.2018
47	Kumar.V, Final Year MCA	Conference on Emerging Trends in Advanced Computing and Communication	Govt. College of Engineering, Bargur	10.01.2018
48	Vignesh.G, Ammulu.T & Suriya.V, Second Year MCA	Conference on Current & Emerging Process Technologies	Kongu Engineering College, Perundurai	25.01.2018
49	Asha.E & Sathiya.S, Final Year MCA	Conference on “Recent Innovations in Information Technology”	Holly Cross Arts and Science College for Women, Thirupattur	08.02.2019
50	Kavitha.T, Second Year MCA	Conference on “Recent Innovations in Information Technology”	Holly Cross Arts and Science College for Women, Thirupattur	08.02.2019
51	Aruna.M, Kokila.P, Nivetha.S, Punitha.J, Rekha.S, Kasthuri.V, Selvi.V and Sivaranjani.M, Final Year MCA	PCIT Computer Science National Conference	St. Joseph’s College of Arts and Science for Women, Hosur	18.09.2018



District Skill Summit Award receiving from Government of Tamil Nadu

STUDENTS ACCOMPLISHMENTS

S.No	Name of the Student	Name of the Contest/ Title of the Project	Institution Name / Organization Name	Date
1	D.A. Vijay Aditya U. Uttam Barik S. Tamilarasan R. Surya, Final Year – MECH	District Skill Summit - Potato Sowing Machine	Government of Tamil Nadu Department of Employment & Training	15.09. 2018
2	K. Ragupathy & S. Suryakanth, Final Year – AERO	Won 3rd Prize in “Yugam Fest”	Kumaraguru Engineering College, Salem	08.02.2019
3	Nonparasan.N, Final Year – AERO	Won 1st Prize in Paper presentation	Mahendra College of Engineering, Namakkal	22.08.2018
4	Saranya.P, Shivashankari.A, Final Year – AERO	Won 2nd Prize in Paper Presentation	Mahendra College of Engineering, Namakkal	22.08.2018
5	Raghupathy.K, Raj kumar.M Second Year – AERO	Won 3rd Prize in Water rocketry	Mahendra College of Engineering, Namakkal	20.08.2018
6	Raghupathy.K & Suryakanth, Second Year – AERO	Won 3rd Prize in Best Working project	Kumaraguru College of Engineering & Technology	09.02.2019
7	N. Non Parasan. N, Final Year - AERO	Won 3rd Prize in Paper Presentation	PSV College of Engineering & Technology, Krishnagiri	09.02.2019
8	P Saranya, N. Roja, Final Year - AERO	Won 2nd Prize in Paper Presentation	PSV College of Engineering & Technology, Krishnagiri	09.02.2019
9	T. Than junisha & K. Thenmozhi, Third Year – CSE	Won 2nd Prize in MIND SHOWER event - National Level Technical Symposium PHANTASM '19	Government College of Engineering, Bargur	20.02 2019
10	R.Jishnu & J.Roche Antony Raj, Final Year – ECE	Won IV Place (Cash Prize Rs 15000/-) in “Anveshana Science Fair-2019 – Image Detected Electronic Walking Stick for Visually Impaired People.	Agasthiya International Foundation, Hyderabad	30.01.2019
11	Y. Bhavani, Third Year - EEE	Won 1st Prize in Sports- Discuss Throw	Adhiyaman College of Engineering, Hosur.	27.09.2018
12	K.Soundarya, Third Year - EEE	Won 2nd Prize in Sports- Javelin	Adhiyaman College of Engineering, Hosur.	27.09.2018
13	Y.Bhavani, Second Year – EEE	Won 3rd Prize in Sports- Javelin	Adhiyaman College of Engineering, Hosur.	27.09.2018

STUDENTS ACCOMPLISHMENTS

14	C. Bhuvaneswari, Seocnd Year – IT	Won 1st Prize in First Place in paper presentation	Podhigai College of Engineering &Technology, Tirupattur	27.02.2019
15	M.Raghu, Third Year – IT	Second Place in Paper presentation	PS.V College of Engineering &Technology, Krishnagiri	15.02.2019
16	S.YaswanthKumar, Seocnd Year – IT	First Place in MEME Design	PS.V College of Engineering &Technology, Krishnagiri	15.02.2019
17	C.Mallikarjun, Seocnd Year – IT	Third Place in Debugging	PS.V College of Engineering &Technology, Krishnagiri	15.02.2019
18	T.Krishnamoorthi, Seocnd Year – IT	First Place in Wordsworth & Third Place in Paper Presentation	Adhiyamaan College of Engineering, Hosur	26.09.2018
19	R.Vijay M.Surayapriyan, Third Year - MCO	Won 2nd Prize in Pipe Cleaning Robot	Karpagam university, Coimbatore	20.02.2019
20	R. Vijay, G. Charan, M. Surya, S. Priyan & A.Ramesh, Third Year – MCO	Won 3rd Prize in Smart control robot	King's college of engineering	24.11.2018
21	G.Vignesh, Second Year – MCO	Won 2nd Prize in Smart garbage cleaning	Vellamal college of Engineering	18.09.2018
22	M.Manojkumar R.Naveeenkumar, Second Year – MCO	Won 2nd Prize in Pick and place robot	Hindustan Institute of technology	24.08.2018
23	G.Vignesh M.Manojkumar, Second Year – MCO	Won 1st Prize in Multipurpose army robot	Vellamal institute of technology, Chennai	07.07.2018
24	A.Babu raj M.Arunkumar G.Charan, Third Year - MCO	Won 1st Prize in Data Collection Robot	Karpagam university, Coimbatore	20.02.2019
25	F.Arafath & R.Mansoor, First Year – IT	Won 2nd Prize in Technical Paper Presentation – Green Chemistry	Sengunthar College of Engineering, Tiruchengiode	02.03.2019
26	F.Arafath , R.Mansoor Viswak, N.Sandeep & N.Sivaraman First Year – MECH	Won 3rd Prize in Paper Presentation & Model Presentation	Priyadarshini Engineering College	11.03.2019
27	A. Alex, T. Logesh, S. Karthick and M. Sathish, Final Year – MCA	Won 1st Prize in Technical Quiz	Bannari Amman Institute of Technology, Sathyamangalam	28.03.2019

Co-ordinators: Mr. M.S. Krishnan, Manager - Institute Industry Interaction Cell
 Mr. R. Rajesh, Placement Officer
 Mrs. R. Vijaya Shanthi, Training Co-ordinator

“PMC TECH is committed to provide training to students from motivational induction to employability skills so that they are industry ready on the lines and requirements of the corporate sector.”

- Training is provided to the students of all the years, all the courses..
- Training is resourced both internally and externally.
- Ensure faculty acquired updated knowledge.
- Extends supportive hand for “successful entrepreneurship”.

Activities Intended for Training

- E-learning based training on Reasoning, Quantitative, Analytical and Verbal skills.
- Software and Technology training available / provided in the online systems.
- Online employability analysis tests for entry in to lead companies.
- Value Added Training sessions on job oriented Soft Skills
- Periodically arranged Online Aptitude Test sessions
- Mock interviews and group discussions
- Industrial training & guest lectures.

Some of the noteworthy training activities of our Institution are:

YEAR	PROGRAMS
I YEAR Students	<ul style="list-style-type: none"> ● Freshers Induction & Motivational programs ● Orientation & Social programs for new comers ● Spoken Tutorial Program –IIT Bombay ● In-house Yoga, Meditation & Physical exercise training
II YEAR Students	<ul style="list-style-type: none"> ● Power of success – Relax Training ● Spoken Tutorial Program –IIT Bombay ● Perceptual Orientation– motivational workshop ● Internal in-house training on communications, aptitude.
III YEAR Students	<ul style="list-style-type: none"> ● National talent tests – Innovation India ● Spoken Tutorial Program –IIT Bombay ● Internal in-house trainings aptitude, pre-placement. ● Perceptual orientation program – creativity workshop
IV YEAR Students	<ul style="list-style-type: none"> ● Placement preparatory training – company specific ● Online Assessment– TCS, NACTECH. ● Aptitude shortcuts – Interview tips. ● Perceptual Orientation– placement workshop

DEPARTMENT OF TRAINING & PLACEMENT

Detailed Statistics of Training to Students

DATE	Name of The Training Conducted	Details of Resource Person(s)	Participated Students
17.07.2018 to 26.07.2018	Power of Success	Mr. Raghunath, Director, Relax Training, Chennai	II YEARS(ALL DEPT)
27.07.2018	Seminar Session on Cloud Technology	Mr. Kiran Reddy, Technical Support, ANTLAB Solutions	III & IV Year (CSE,IT &MCA)
08.08.2018 to 10.08.2018	Seed -Evolv For Career Success	Mrs. Shanthi, Psychology Trainer, Seed	II MBA & III MCA
06.09.2018 to 12.09.2018	Orientation Programme	Bridge Course by External Trainers and Internal Faculty members	Ist YEAR B.E/B.TECH
06.09.2018	Skills to be Executive - Career Counseling	Mr. Ramesh Srinivasan, Associate Consultant, Aim& Succeed	I MBA & II MCA
10.09.2018	TCS Ion - Pre4Job Qualifier National Assessment Test	Online Assessment -Internal Training Team	IV Year All Branches
24.09.2018 to 03.10.2018	Global Communicative English	Col(Retd)Mr. P. Jeyraj , Col's Caliber & Team	II MBA & III MCA
01.12.2018 to 06.12.2018	Pre Placement Training Programme	In House Training (Infosys) & Internal Training Team	IV Year All Branches
18.12.2018 & 19.12.2018	Placement Readiness Orientation Program- "Preparing For The Journey From Campus to Corporate"	Mr. P. S. Sathish, Director, Saraswathi Industrial Services, Bengaluru	IV Year - All Branches
21.01.2019 to 30.01.2019	Global Communicative English	Col(Retd)Mr. P. Jeyraj , Col's Caliber & Team	II MBA & III MCA
23.01.2019 & 24.01.2019	Power To Flower - Motivational Training Program	Thiru.Marabin Mainthan Muthiah, Founder& Editor – Namadhu Nambikkai Magazine ,Coimbatore	I Year Students

DEPARTMENT OF TRAINING & PLACEMENT

23.01.2019 to 02.02.2019	Employability Skill Training on ADVANCED IT & ITES TRAINING, (TNSDC) with ICT Academy	Mr. K.A.Bhargavee, Senior Soft Skill Trainer , ICT Academy	IV B.E CSE,IT & III MCA
28.01.2019	IIT Bombay Spoken Tutorial	Online Assessment -Internal Training Team	II & III Year CSE, ECE, IT & EEE
04.02.2019 to 08.02.2019	Employability Skill Training on Advance IT & ITES (TNSDC) with ICT Academy	Mr. Nirmal Kumar, Senior Business Analyst Trainer, ICT Academy	IV B.E CSE,IT & III MCA
11.02.2019 to 15.02.2019	Employability Skill Training on Advance IT & ITES (TNSDC) with ICT Academy	Mr. R. BalaChandar, Senior Technical Trainer, ICT Academy	IV B.E CSE,IT & III MCA
14.02.2019	Career Counselling	Mr.Sagandas,Operation Manager, GTech Education , Chennai	IV Year – All Branches
26.02.2019 to 27.02.2019	Skill Saathi - Career Counselling Program Towards Bright Future	Mr. N. Balamurali, Senior Trainer &Mr.Vishnu Prasad, Senior Trainer ICT Academy	All Year
27.08.2018 to 31.08.2018	Yoga and Meditation	HMMT Trust, Hosur	All 1st Year Students



Students Training Sessions

PLACEMENT

PMC TECH has an Industry Interaction Cell striving hard to bridge the gap between Industries & Institute, to foster effective interaction between Industry to impart meaningful education & to promote Industrial Consultancy & Entrepreneurship. The cell in coordination with Training & Placement Cell of our institution plays a pivotal role in counseling and guiding the students for their successful career placement which is a crucial interface between the stages of completion of academic program of the students and their entry into the suitable employment.

PLACEMENT STATISTICS - 2019

No. of Final
Year Students

511

No. of Companies
for Campus Drives

38

No. of Students
Placed

483

Salary
Package

Rs. 1,50,000
to
Rs. 4,00,000

OUR ESTEEMED RECRUITERS



DEPARTMENT OF PHYSICAL EDUCATION TRAINING

“Physical fitness is not only the important key for healthy body; it is the basic dynamics to create intellectual activities”

PMC TECH - Annual Sports Meet' 2019

The Annual Sports Day was held on Friday 16th February 2019, with great zeal, excitement and frolicsome atmosphere. The chief guest Dr. S. Mani, Secretary General - Throw Ball Federation, Bengaluru & President, Tamil Nadu Throw Ball Association took the salute of the impressive March Past of the students, coupled with some stirring marching music by the band.

EVENTS FOR STUDENTS

Outdoor Games

- Volley Ball
- Basketball
- Cricket
- Kabaddi
- Badminton (Singles & Doubles)
- Throw Ball (Girls)
- Tennikoit (Girls)

Outdoor Games

- Table Tennis
- Chess
- Carom
- Dart

Athletic Games

- 100 mts Running
- 200 mts Running
- 1500 mts Running
- 400 mts Relay
- 100 mts Relay
- Javelin Throw
- Discus Throw
- Hammer Throw
- Shot Put
- Long Jump



DEPARTMENT OF PHYSICAL EDUCATION TRAINING

EVENTS WINNERS & RUNNERS LIST

CHESS (GIRLS)		
NAME	DEPARTMENT & YEAR	POSITION
Vinothini .K	I ECE	WINNER
Shalini K. S	I AERO	RUNNER

CHESS (BOYS)		
NAME	DEPARTMENT & YEAR	POSITION
M. Umesh	I EEE	WINNER
Sharath Kumar R	I EEE	RUNNER

TABLE TENNIS (BOYS)		
NAME	DEPARTMENT & YEAR	POSITION
G. Mathiyazhagan	I MECH	WINNER
N. Likith	I MECH	RUNNER

CARROM BOARD DOUBLES (GIRLS)		
NAME	DEPARTMENT & YEAR	POSITION
M. Kamala	EEE	WINNER
P. Tamizharasi	EEE	WINNER
M. Geetha	CSE	RUNNER
S. Preetha	CSE	RUNNER

CARROM BOARD DOUBLES (BOYS)		
NAME	DEPARTMENT & YEAR	POSITION
M. Chandru	I CSE	WINNER
S. Hemanth	I CSE	WINNER
M. Karthik	I EEE	RUNNER
M. Naveenkumar	I EEE	RUNNER

BADMINTON (BOYS)		
NAME	DEPARTMENT & YEAR	POSITION
M. Tamil Thendral	MCO II YEAR	WINNER
S. Mohana Sundaram	MECH III YEAR	WINNER

BADMINTON DOUBLES (BOYS)		
NAME	DEPARTMENT & YEAR	POSITION
R. Manimaran	MCO FINAL YEAR	WINNER
R. Karthikeyan	MCO FINAL YEAR	WINNER
S. Jasendran	MECH FINAL YEAR	RUNNER
M. Kabil	MECH II YEAR	RUNNER

BADMINTON DOUBLES (GIRLS)		
NAME	DEPARTMENT & YEAR	POSITION
Y. Bhavani	EEE III YEAR	WINNER
V. Pavithra	EEE III YEAR	WINNER

DEPARTMENT OF PHYSICAL EDUCATION TRAINING

BADMINTON SINGLES (GIRLS)		
NAME	DEPARTMENT & YEAR	POSITION
R. Nivedhitha Kaley	ECE II YEAR	WINNER
K. Renuka Devi	ECE II YEAR	RUNNER

TABLE TENNIS SENIOR (BOYS)		
NAME	DEPARTMENT & YEAR	POSITION
K. Jabeel Shariff	AERO II Year	WINNER
S. Vijayasurya	CIVIL Final Year	RUNNER

TABLE TENNIS SENIOR (GIRLS)		
NAME	DEPARTMENT & YEAR	POSITION
P. Blessy Evangelin	AERO II YEAR	WINNER
K. Soundarya	EEE FINAL YEAR	RUNNER

TABLE TENNIS SENIOR (GIRLS)		
NAME	DEPARTMENT & YEAR	POSITION
M. Kanimozhi	CSE III YEAR	WINNER
S. Nishkarshini	CSE III YEAR	WINNER
K. Soundarya	EEE FINAL YEAR	RUNNER
Y. Bhavani	EEE III YEAR	RUNNER

CARROM BOARD DOUBLES SENIOR (BOYS)		
NAME	DEPARTMENT & YEAR	POSITION
R. Venkatesh	MBA I YEAR	WINNER
S. Praveen Kumar	MBA I YEAR	WINNER
V. Shanth Kumar	MCA II YEAR	RUNNER
M. Arun Kumar	MBA I YEAR	RUNNER

CARROM BOARD DOUBLES SENIOR (GIRLS)		
NAME	DEPARTMENT & YEAR	POSITION
A. Prathiba	ECE II YEAR	WINNER
S. Swetha	ECE II YEAR	WINNER
N. Roja	AERO FINAL YEAR	RUNNER
S. Indhumathi	AERO III YEAR	RUNNER

KABADDI (BOYS)	
Department: Mechanical Engineering	Department: ECE
Winners	Runners
S. Velgopal	V. Prakash Kumar
V. Pasupathi	S. Santhosh Kumaran
G. Praveenkumar	G. Harish
P. Sanjai	Vinoth Kumar A
Siva B	Naveen N
Ravindran A	Dinesh B
Tamil Mani C	Muniraj C
N. Murugesan	S. Harisoss

DEPARTMENT OF PHYSICAL EDUCATION TRAINING

Sridhar. R	Perumal J
P. Ruthramoorthy	Prabhakarn M
C. Vijay	C. Sanjay
M. Sitaram	Mohan B

CRICKET

Department: Mechanical Engineering	Department: EEE
Winners	Runners
G. Praveen Kumar	S. N. Vijay Kumar
Mohan Babu A	Pavan Kumar Dega
J. Siva	Karthick V
R. Rajesh	N. Rajasekar
R. Surya	R. Naveen Kumar
V. Sridhar	B. Giridharan
P. Pradeep	S. Tamilarasan
K. Pradeep	N. Lokesh
R. Santhosh	P. Meimurugan
D. Vishnu	R. Venkatraman
K. Vijayakumar	T. Lokesh

VOLLEYBALL SENIOR (BOYS)

Department: Mechanical Engineering	Department: Aeronautical Engineering
Winners	Runners
A. Ravindran	D. Raja Patel
M. Surya	D. Nandeesh Kumar
V. Sridhar	M. Munichandran
S. Prithviraj	J. Venkatesh
J. Santhosh	M. Silambarasan
R. Sunil Kumar	N. Rajasekar
R. Surya	R. Naveen Kumar
S. Venkateshan	S. N. Vijay Kumar
S. Raju	Pavan Kumar Dega
R. Sathish	Karthick V
M. Dharmaseelan	T. Lokesh

VOLLEYBALL JUNIOR (BOYS)

Dept: MECH FIRST YEAR	Dept: ECE SECOND YEAR
Winners	Runners
B. Vijay Kumar	V. Pradeep
M. Karthik	Kalimuthu A
S. Raja	B. Kiran
C. Dinesh	B. Giridharan
M. Ritesh	S. Tamilarasan
R. Thimaraj	N. Lokesh
K. Shanmugasundaram	P. Meimurugan
K. Sudharsan	R. Venkatraman
V. Dinesh Kumar	K. Ranjith Kumar
N. Likith	

DEPARTMENT OF PHYSICAL EDUCATION TRAINING

THROWBALL (GIRLS)	
Dept: CSE FINAL YEAR	Dept: ECE SECOND YEAR
Winners	Runners
S. Sameera Thabasum	M. Kiruthika
C. Latha	M. Divya
S. Apoorva	M. Archana
S. Nishkarshini	R. Harshitha
M. Meena	D. Mahendrika
R. Pavithra	K. Anandhi
S. Bharathi	K. Renuka Devi
N. Bhavani	D. Hamsa
V. Keerthana	J. Sweetlin
S. Archana	S. R. Amrisha
S. Sarmila	AN. Alagu Meenal

CRICKET JUNIOR (BOYS)	
Dept: IT First Year	Dept: Mechanical First Year
Winners	Runners
N. Tamilarasan	T. Sakthivel
N. Kiran Kumar	C. Dinesh
S. Bhuvaneshwaran	B. Vijay Kumar
K. Deepak	N. Likith
K. Praveen	M. Karthick
M. Sakthivel	L. Adhisheshan
R. Upendra	N. Murthy
M. Nishanth Kumar	M. Lokesh
M. Shermaraja	M. Ritesh
F. Arafath	N. Prakash
R. Mansor	V. Dinesh Kumar

BASKETBALL SENIOR (BOYS)	
Department: Mechanical Final Year (A & B)	
Winners	Runners
M. P. Deepak Rajesh	K. Vijayakumar
S. Karthikeyan	M. Suresh
T. Gowtham	B. Saravanan
N. Kamesh	S. Sabarish
M. Arjun	K. Pradeep
G. Karthikeyan	R. Uthrakumar
T. Keerthirajan	T. Sitaram
P. Mohanasundaram	K. Praveen Kumar
J. Jagadish	M. Pugal
P. Arun	S. Prithviraj

DART (BOYS)		
NAME	DEPARTMENT & YEAR	POSITION
S. Gokul Nath	CIVIL III YEAR	WINNER
K. Vijayakumar	MECH FINAL YEAR	RUNNER

DEPARTMENT OF PHYSICAL EDUCATION TRAINING

CARROM SINGLES (BOYS)

NAME	DEPARTMENT & YEAR	POSITION
J. Roche Antony Raj	EEE FINAL YEAR	WINNER
N. Bharath	CIVIL III YEAR	RUNNER

CHESS (GIRLS)

NAME	DEPARTMENT & YEAR	POSITION
S. Jansi Rani	EEE III YEAR	WINNER
V. Lekha	CSE FINAL YEAR	RUNNER

CHESS (BOYS)

NAME	DEPARTMENT & YEAR	POSITION
V. Mohan Kumar	MCO FINAL YEAR	WINNER
P. Kannan	MECH III YEAR	RUNNER

100 METERS (BOYS)

NAME	DEPARTMENT & YEAR	POSITION
S. Gokul Nath	CIVIL III YEAR	I
S. Velgopal	MECH FINAL YEAR	II
V. Lokesh	MECH III YEAR	III

100 METERS (GIRLS)

NAME	DEPARTMENT & YEAR	POSITION
K. Nandhini	MBA II YEAR	I
S. Govindhashalini	CSE I YEAR	II
C. Latha	CSE FINAL YEAR	III

200 METERS (BOYS)

NAME	DEPARTMENT & YEAR	POSITION
K. Vijayakumar	MECH FINAL YEAR	I
V. Lokesh	MECH III YEAR	II
M. Arun Kumar	AERO II YEAR	III

200 METERS (GIRLS)

NAME	DEPARTMENT & YEAR	POSITION
K. Nandhini	MBA II YEAR	I
V. Usha	ECE II YEAR	II
C. Latha	CSE FINAL YEAR	III

400 METERS (GIRLS)

NAME	DEPARTMENT & YEAR	POSITION
M. Ashwini	MBA I YEAR	I
S. Aswini	ECE I YEAR	II
V. Mariyasha	ECE I YEAR	III

DEPARTMENT OF PHYSICAL EDUCATION TRAINING

1500 METERS (BOYS)

NAME	DEPARTMENT & YEAR	POSITION
R. Anbarasan	MECH I YEAR	I
S. Govindaraj	MECH II YEAR	II
M. Magesh	ECE III YEAR	III

4*100 METERS RELAY (BOYS)

NAME	DEPARTMENT & YEAR	POSITION
M. Vijayakumar	MECH FINAL YEAR	I
K. Vijayakumar	MECH FINAL YEAR	I
S. Velgopal	MECH FINAL YEAR	I
V. Lokesh	MECH III YEAR	I
M. Silambarasan	AERO II YEAR	II
K. Alex	AERO II YEAR	II
K. Raghupathi	AERO II YEAR	II
M. Arun Kumar	AERO II YEAR	II
S. Sathish	ECE III YEAR	III
M. Magesh	ECE III YEAR	III
J. Perumal	ECE III YEAR	III
S. Ranjith	ECE III YEAR	III

4*100 METERS RELAY (GIRLS)

NAME	DEPARTMENT & YEAR	POSITION
R. Usha	ECE I YEAR	I
M. Govindhushalini	CSE I YEAR	I
S. Ashwini	ECE I YEAR	I
S. Elakiya	IT I YEAR	I
R. Pavithra	CSE III YEAR	II
S. Nishkarshini	CSE III YEAR	II
C. Geetha	CSE II YEAR	II
C. Latha	CSE FINAL YEAR	II
Y. Bhavani	EEE III YEAR	III
K. Soundarya	EEE FINAL YEAR	III
Rekha M	EEE III YEAR	III
Nivetha N	EEE III YEAR	III

JAVELIN THROW (GIRLS)

NAME	DEPARTMENT & YEAR	POSITION
Y. Bhavani	EEE III YEAR	I
K. Soundarya	EEE FINAL YEAR	II

DEPARTMENT OF PHYSICAL EDUCATION TRAINING

JAVELIN THROW (BOYS)

NAME	DEPARTMENT & YEAR	POSITION
J. Roche Antony Raj	EEE FINAL YEAR	I
S. Rakeshwaran	AERO I YEAR	II

SHOT PUT (GIRLS)

NAME	DEPARTMENT & YEAR	POSITION
Y. Bhavani	EEE III YEAR	I
K. Soundarya	EEE FINAL YEAR	II
T. Ammulu	MCA II YEAR	III

SHOT PUT (BOYS)

NAME	DEPARTMENT & YEAR	POSITION
J. Roche Antony Raj	EEE FINAL YEAR	I
M. Lokesh	MECH I YEAR	II
M. Kabil	MECH II YEAR	III

DISCUS THROW (BOYS)

NAME	DEPARTMENT & YEAR	POSITION
J. Roche Antony Raj	EEE FINAL YEAR	I
S. Haridoss	MECH I YEAR	II
M. Kabil	MECH II YEAR	III

DISCUS THROW (GIRLS)

NAME	DEPARTMENT & YEAR	POSITION
Y. Bhavani	EEE III YEAR	I
T. Ammulu	MCA II YEAR	II
M. Umamaheshwari	AERO II YEAR	III

LONG JUMP (BOYS)

NAME	DEPARTMENT & YEAR	POSITION
S. Gokul Nath	CIVIL III YEAR	I
S. Rakeshwaran	AERO I YEAR	II
V. Lokesh	MECH III YEAR	III

LONG JUMP (GIRLS)

NAME	DEPARTMENT & YEAR	POSITION
V. Pavithra	CSE III YEAR	I
C. Ashwini	ECE I YEAR	II
M. Govindashalini	CSE I YEAR	III

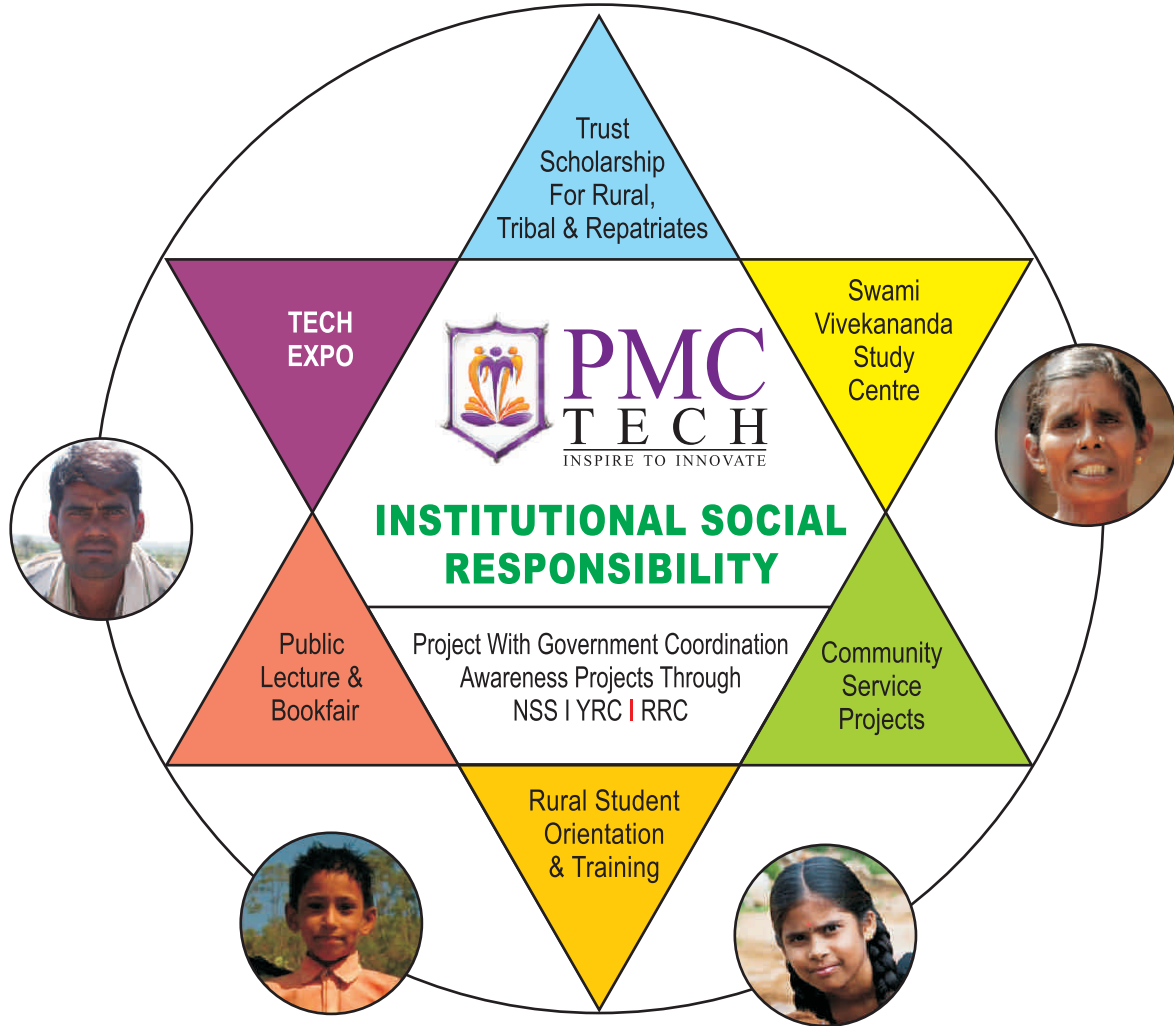
TRIPLE JUMP (BOYS)

NAME	DEPARTMENT & YEAR	POSITION
S. Gokul Nath	CIVIL III YEAR	I
P. Ruthramoorthy	MECH FINAL YEAR	II
M. Dhandapani	EEE FINAL YEAR	III

INSTITUTION SOCIAL RESPONSIBILITY

Knowledge is power and has been the significant criteria in the growth and development of the society. Institutional Social Responsibility is one of the mainstays that support our programs and it is also one of our strategic priorities, as we believe that our role as an engineering institution involves something more than simply the imparting of knowledge and skills to our students and, as active agents of social change, we aim to address and find solutions to social problems. The services rendered to society are:

PMC TECH - ISR Activities:



YERUMUGAM

Career Guidance Programme

அகப்பொறி

வாழ்வியல் வழிகாட்டி

தமிழ்ப்பேரவை

NCC

National Cadet Corps

NSS

National Service Scheme

YRC

Youth Red Cross

INSTITUTION SOCIAL RESPONSIBILITY



Eye Camp



Awareness Rally on Disaster Management



Tree Plantation



Blood Camp



Orientation Programme for NEET Students



NEET Crash Course for +2 Students



Tamilnadu Sri Ramakrishna, Sri Saradha Devi - Swami Vivekananda 26th Devotees Conference held at PMCTECH



Carrier Guidance Programme for +2 Students



CGP at Dharmapuri



CGP at Krishnagiri



CGP at Vaniyambadi



CGP at Hosur



Krishnagiri District Historical Research Centre 11th National Conference



Training for Self Help Groups at Women Technology Park - PMC Tech

INFRASTRUCTURE PHOTOS



Aeronautical Lab



Computer Lab



Civil - Concrete Lab



ECE LAB



Manufacturing Tech Lab



3D Printer Lab



Physics Lab



Library

INFRASTRUCTURE PHOTOS



PMC TECH - Engineering Main Block



West Block



East Block



Boys Hostel



Internet Café



Girls Hostel



Open Theatre Auditorium

Er. PERUMAL MANIMEKALAI POLYTECHNIC & ENGINEERING COLLEGE

Accredited by NAAC with 'B++' Grade / An ISO 9001:2015 Certified Institution



ENGINEERING COLLEGE

B.E. AERO | CIVIL | CSE |
ECE | EEE | MECH |
MECHATRONICS | IT

M.E. AERO | APPL. ELECTRONICS | CSE |
ENGG. DESIGN | POWER ELECT. & DRIVES
MBA | MCA



POLYTECHNIC COLLEGE

Diploma in CHEMICAL | CIVIL | CSE | ECE | EEE | MECH | MECH (T&D) | E-ROBOTICS

INDUSTRIAL TRAINING INSTITUTE

MATRICULATION SCHOOL

Er. PERUMAL MANIMEKALAI TELUGU MINORITY EDUCATIONAL & CHARITABLE TRUST

Regd. Under Section 12(A) and Exempted under Section 80(G) of Income Tax

 www.pmctech.org



MXF8 + PC

[Open Google Maps App Tap the search box and type the plus code]



NH-7, Hosur to Krishnagiri Highways,
Koneripalli, HOSUR - 635 117, Tamil Nadu.



04344 - 257243, 257242, 257236



pmctech.engineering@gmail.com

